



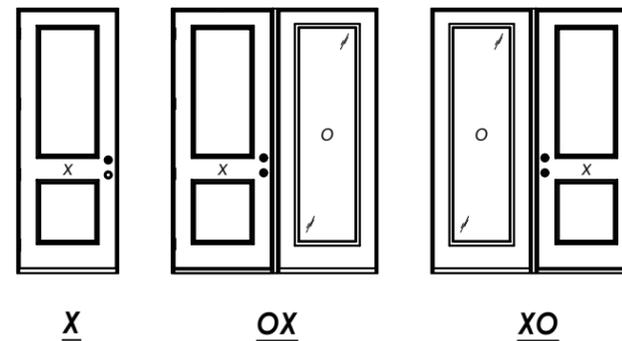
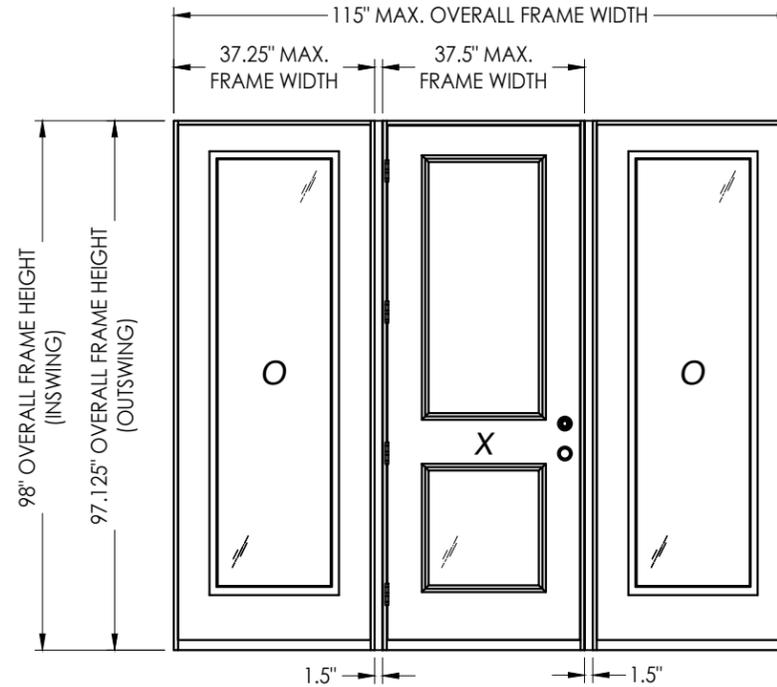
250 Staunton Turnpike, Parkersburg, WV 26104

OPAQUE FIBERGLASS DOORS SINGLES w/ or w/o SIDELITES IN SWING / OUT SWING "IMPACT"

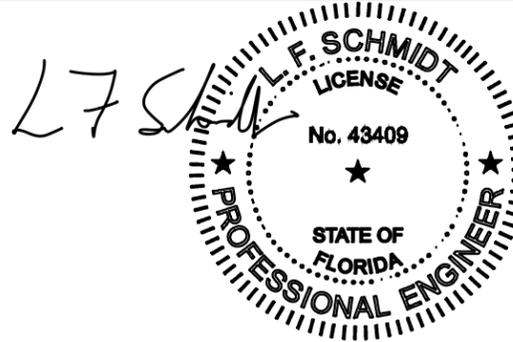
GENERAL NOTES

- This product has been evaluated and is in compliance with the 8th Edition (2023) Florida Building Code (FBC) structural requirements excluding the "High Velocity Hurricane Zone" (HVHZ).
- Product anchors shall be as listed and spaced as shown on details. Anchor embedment to base material shall be beyond wall dressing or stucco.
- When used in areas requiring wind borne debris protection this product complies with FBC Sections 1609.1.2 & R301.2.1.2 and does not require an impact resistant covering. This product meets missile level "D" and includes Wind Zone 4 as defined in ASTM E1996 and FBC Sections 1609.1.2.2 & R301.2.1.2.1.
- For 2x stud framing construction, anchoring of these units shall be the same as that shown for 2x buck masonry construction.
- Site conditions that deviate from the details of this drawing require further engineering analysis by a licensed engineer or registered architect.

TABLE OF CONTENTS	
SHEET#	DESCRIPTION
1	Typical elevations, design pressures & general notes
2	Door panel details
3	Sidelite panel details
4	Elevations
5	Horizontal cross sections
6	Horizontal & Vertical Cross Sections (2X Buck)
7	Horizontal & Vertical Cross Sections (1X Buck)
8	Horizontal & Vertical Cross Sections (Direct to Masonry)
9	Vertical Cross Sections (Thresholds)
10	Horizontal & Vertical Cross Sections (Direct to Masonry)
11	Buck anchoring
12	Frame anchoring & hardware details
13	Bill of materials and components



CONFIGURATION	MAX. FRAME DIMENSION	JAMB REINFORCEMENT	DESIGN PRESSURE (PSF) INSWING		DESIGN PRESSURE (PSF) OUTSWING	
			POSITIVE	NEGATIVE	POSITIVE	NEGATIVE
X	37.5" x 98"	N/A	+50.0	-50.0	+50.0	-50.0
OX/XO	76.25" x 98"	2X	+50.0	-50.0	+50.0	-50.0
OXO	115" x 98"	2X	+50.0	-50.0	+50.0	-50.0



This item has been digitally signed and sealed by L. F. Schmidt, P.E. on the date adjacent to the seal. Printed copies of this document are not considered signed and sealed and the signature must be verified on any electronic copies.

THIS PRODUCT APPROVAL IS VALID ONLY FOR THE STATE OF FLORIDA

Documents Prepared By: Lyndon F. Schmidt, P.E. No. 43409

RW BUILDING CONSULTANTS, INC.
P.O. Box 230, Valrico, FL 33595
Phone No.: 813.659.9197
FBPE Registry No. 9813

PRODUCT: WINCORE FIBERGLASS ENTRY DOOR "Impact"

PART OR ASSEMBLY: TYPICAL ELEVATION, DESIGN PRESSURES & GENERAL NOTES

NO.	DATE	REVISIONS
2	7/06/23	UPDATE TO 8TH ED. (2023) FBC LFS
1	10/14/20	UPDATE TO 7TH ED. (2020) FBC LFS

DATE: 8/20/19

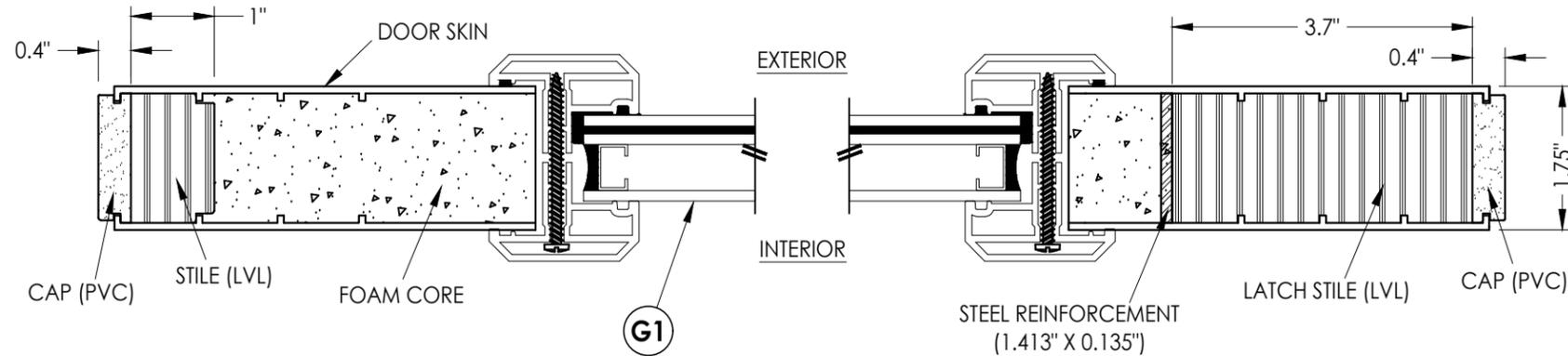
SCALE: N.T.S.

DWG. BY: RW

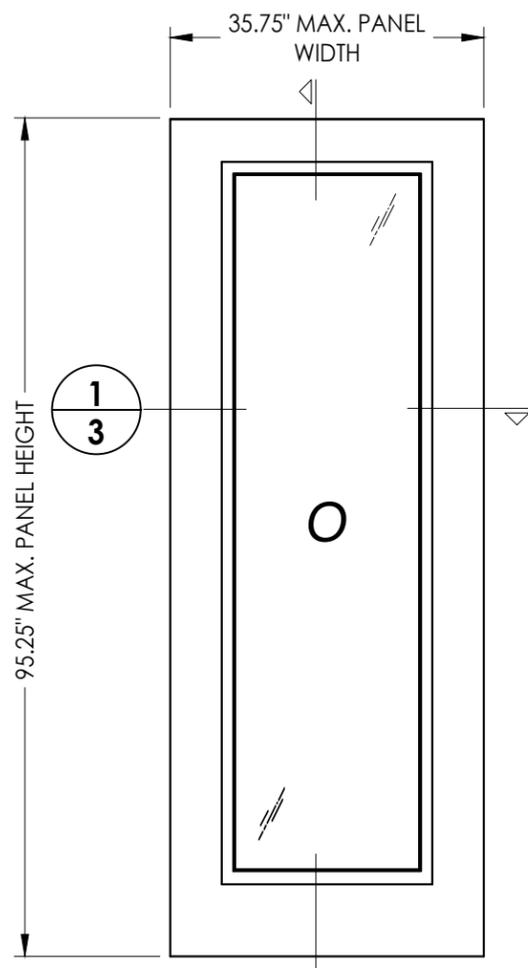
CHK. BY: LFS

DRAWING NO.: FL-30037.5

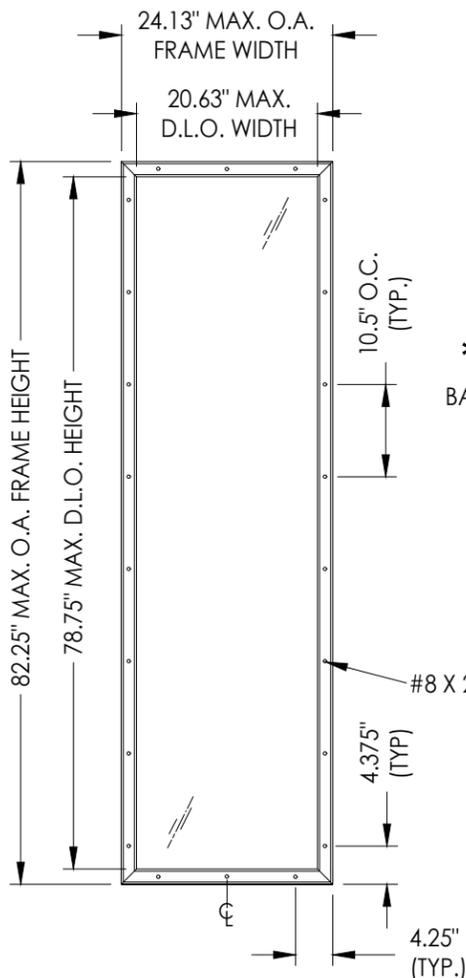
SHEET 1 OF 13



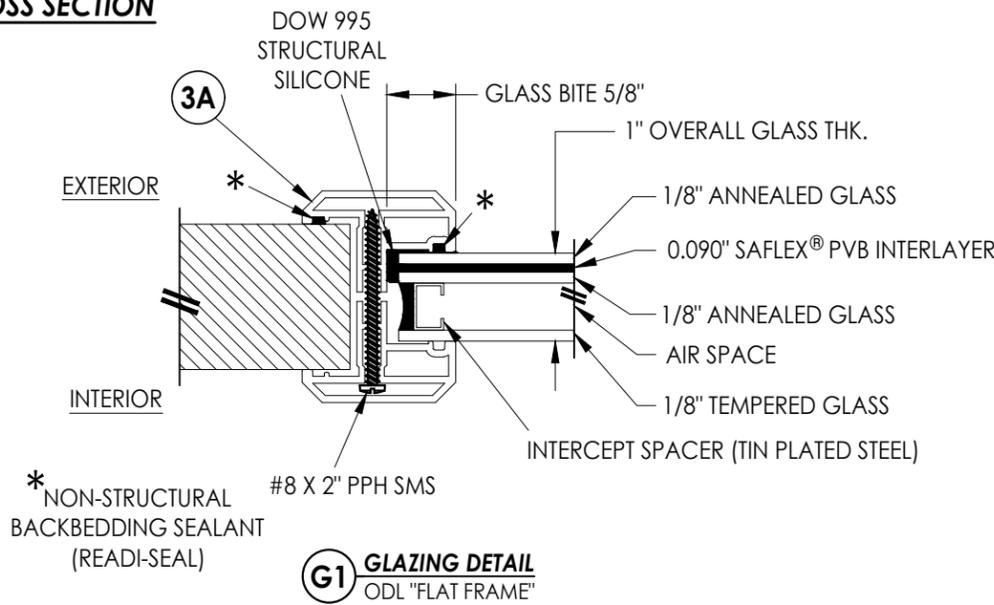
1
3 **HORIZONTAL CROSS SECTION**



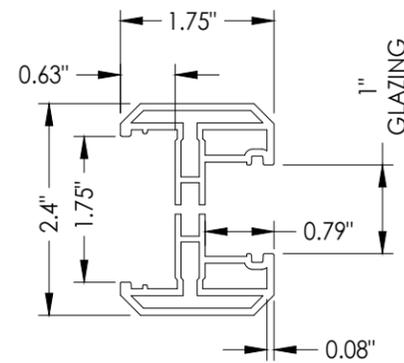
50 **PLASTPRO SIDELITE PANEL**



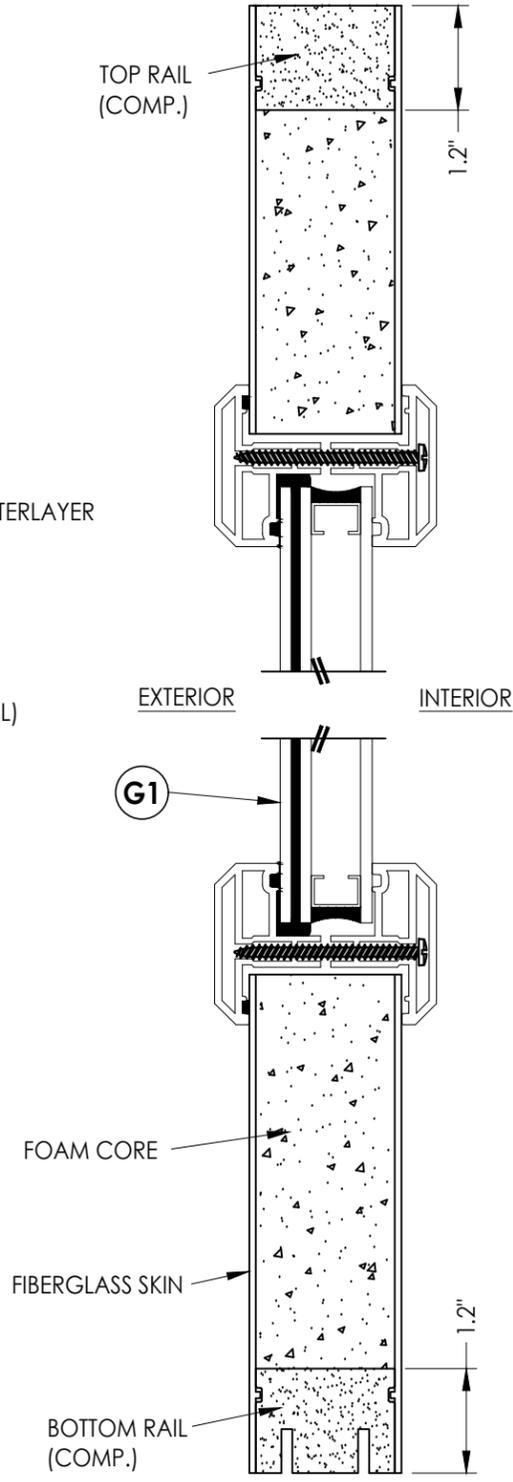
**ODL LITE FRAME DETAIL
"FLAT FRAME" PROFILE**



G1 **GLAZING DETAIL
ODL "FLAT FRAME"**



3A **ODL LITE FRAME
"FLAT FRAME" PROFILE
(6063-T5 ALUM)**



2
3 **VERTICAL CROSS SECTION**

FIBERGLASS SKIN: 0.075" MIN. THK.
FOAM CORE: POLYURETHANE - 1.9 PCF MIN.)

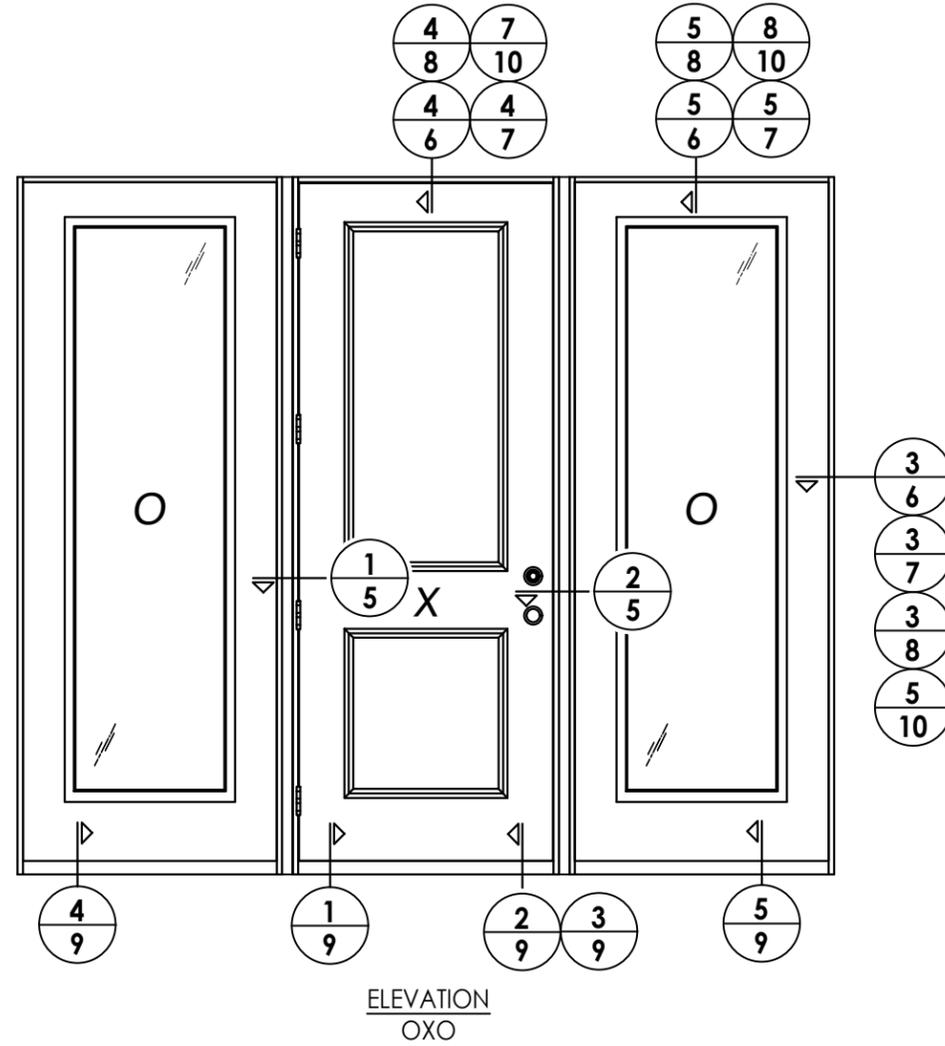
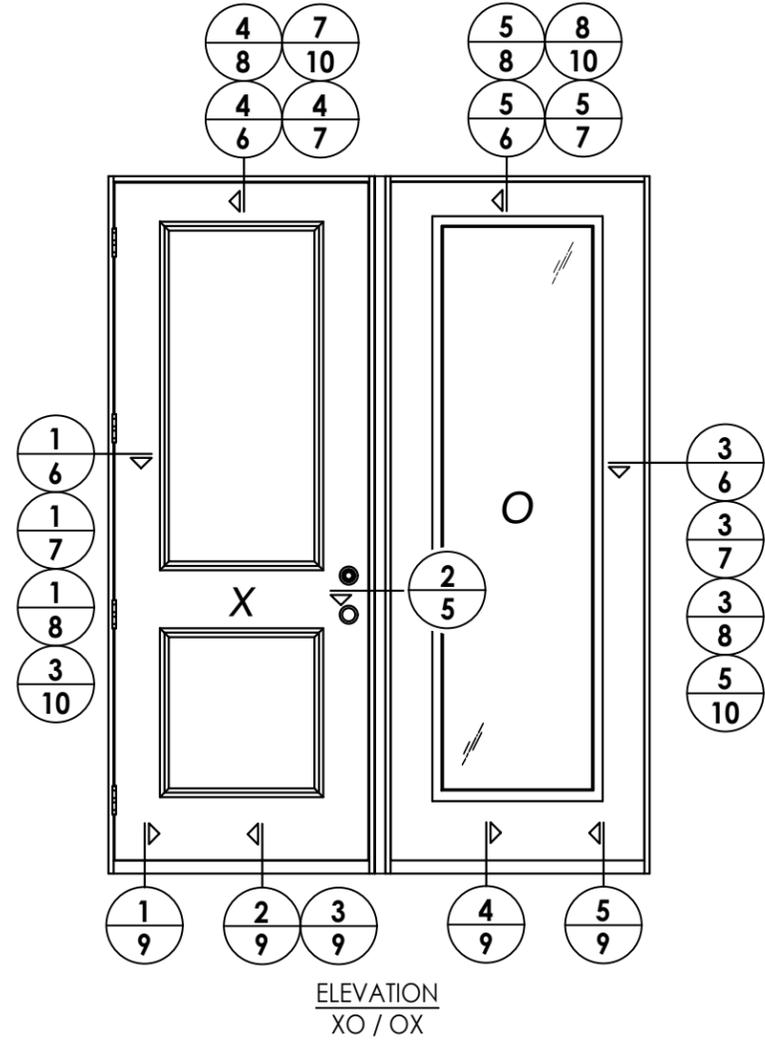
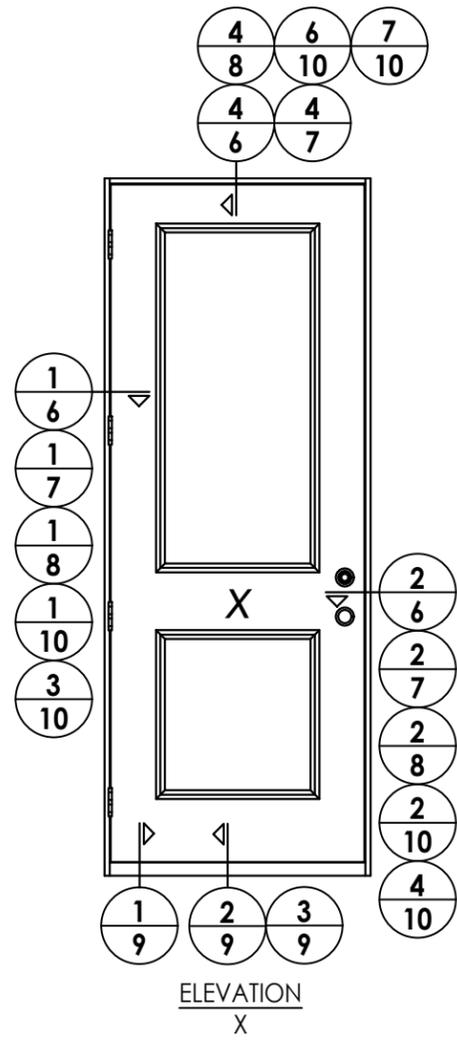
Documents Prepared By:
Lyndon F. Schmidt
P.E. No. 43409

RW BUILDING CONSULTANTS, INC.
P.O. Box 230, Valrico, FL 33595
Phone No.: 813.659.9197
FBPE Registry No. 9813

PRODUCT: WINCORE
FIBERGLASS ENTRY DOOR
"Impact"
PART OR ASSEMBLY:
LITE FRAME
GLAZING DETAILS

NO.	DATE	BY
2	7/06/23	LFS
1	10/14/20	LFS

DATE:	8/20/19
SCALE:	N.T.S.
DWG. BY:	RW
CHK. BY:	LFS
DRAWING NO.:	FL-30037.5
SHEET	3 of 13



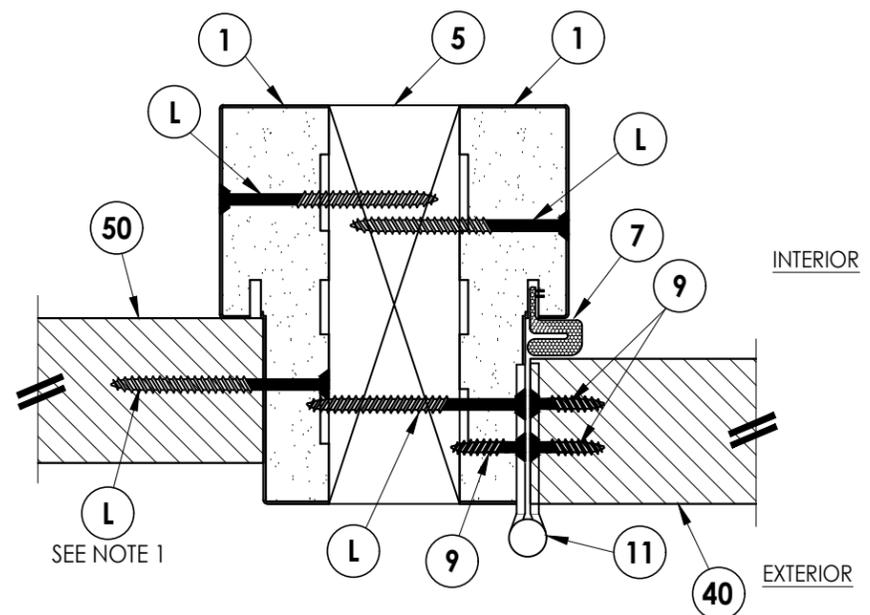
DATE: 8/20/19
 SCALE: N.T.S.
 DWG. BY: RW
 CHK. BY: LFS
 DRAWING NO.: FL-30037.5
 SHEET 4 OF 13

NO.	DATE	BY	REVISIONS
2	7/06/23	LFS	UPDATE TO 8TH ED. (2023) FBC
1	10/14/20	LFS	UPDATE TO 7TH ED. (2020) FBC

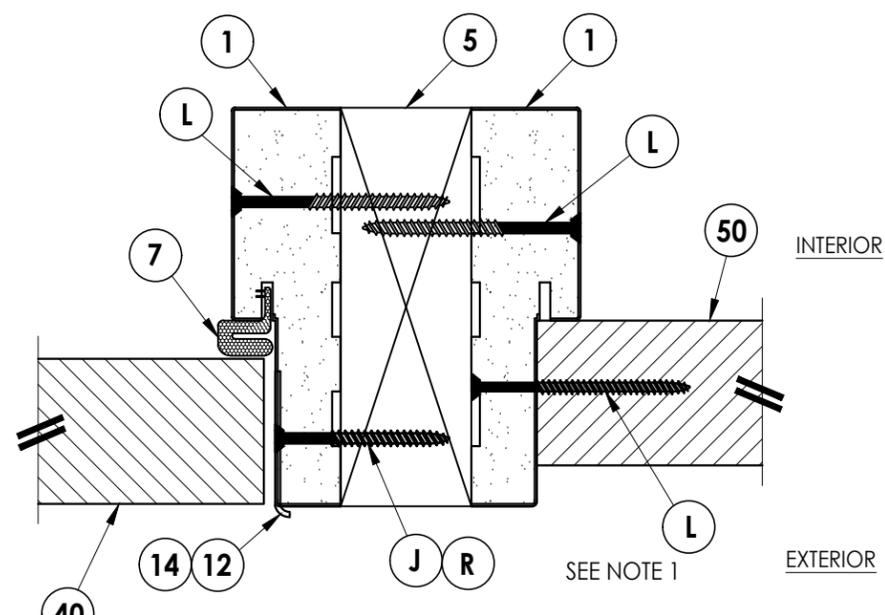
PRODUCT: WINCORE
 FIBERGLASS ENTRY DOOR
 "Impact"
 PART OR ASSEMBLY:
 ELEVATIONS

Documents Prepared By:
 Lyndon F. Schmidt
 P.E. No. 43409

RW BUILDING CONSULTANTS, INC.
 P.O. Box 230, Vairico, FL 33595
 Phone No.: 813.659.9197
 FBPE Registry No. 9813



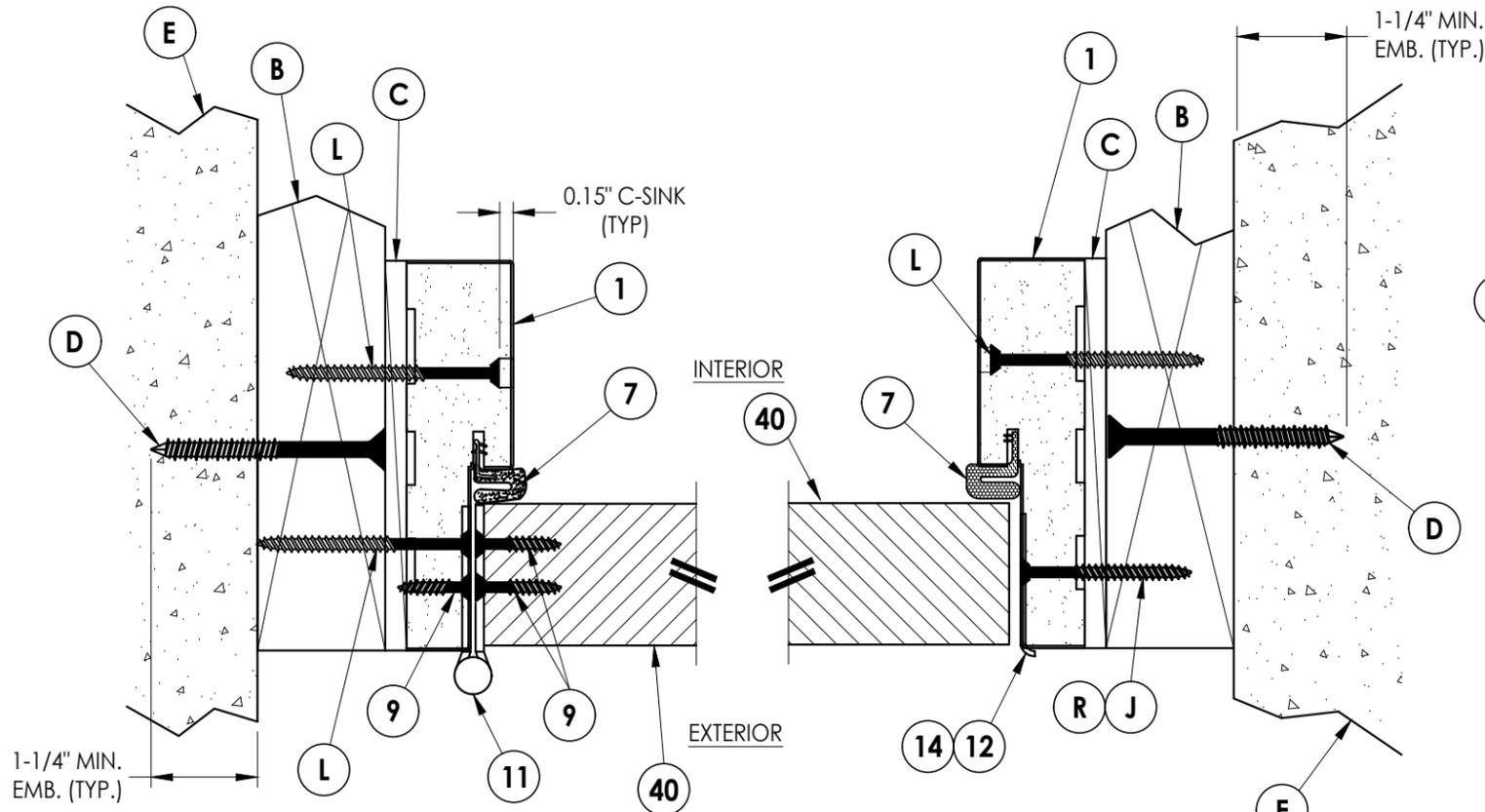
1 **HORIZONTAL CROSS SECTION**
5 Outswing shown (Inswing similar)
 2X Jamb Reinforcement



2 **HORIZONTAL CROSS SECTION**
5 Outswing shown (Inswing similar)
 2X Jamb Reinforcement

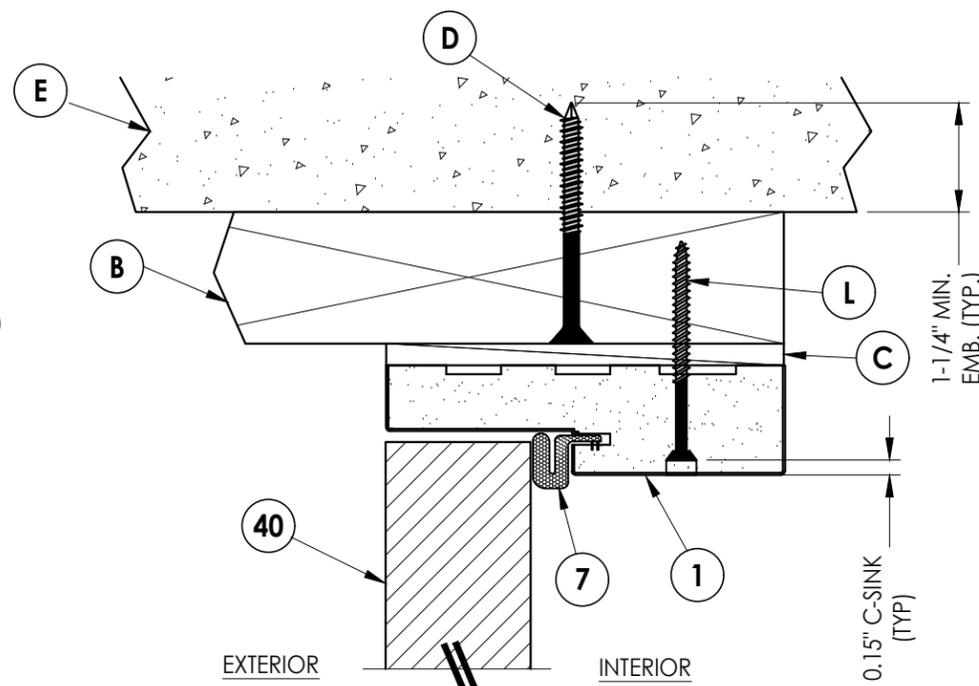
NOTE:
 1. Spacing for item L: 6" from each end and 5 more equally spaced along sidelite jamb (7 total).

Documents Prepared By: Lyndon F. Schmidt P.E. No. 43409		BUILDING CONSULTANTS, INC. P.O. Box 230, Valrico, FL 33595 Phone No.: 813.659.9197 FBPE Registry No. 9813				
PRODUCT: WINCORE FIBERGLASS ENTRY DOOR "Impact"		PART OR ASSEMBLY: HORIZONTAL CROSS SECTIONS				
		2	7/06/23	UPDATE TO 8TH ED. (2023)	FBC	LFS
		1	10/14/20	UPDATE TO 7TH ED. (2020)	FBC	LFS
		NO.	DATE			BY
REVISIONS						
DATE: 8/20/19						
SCALE: N.T.S.						
DWG. BY: RW						
CHK. BY: LFS						
DRAWING NO.: FL-30037.5						
SHEET 5 of 13						

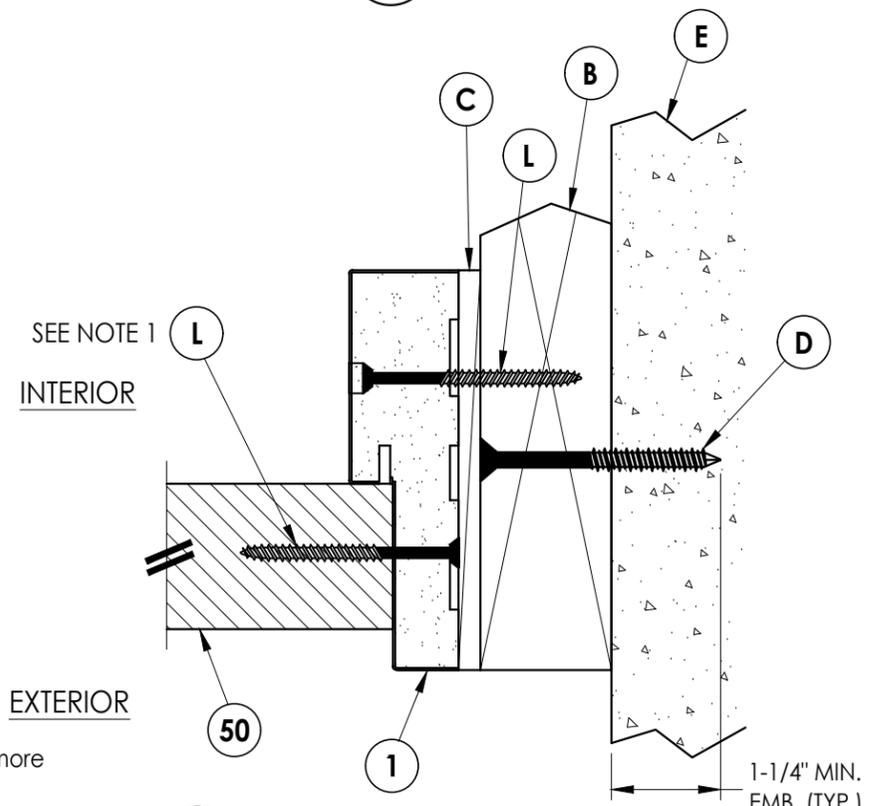


1 HORIZONTAL CROSS SECTION
6 Outswing shown (Inswing similar)

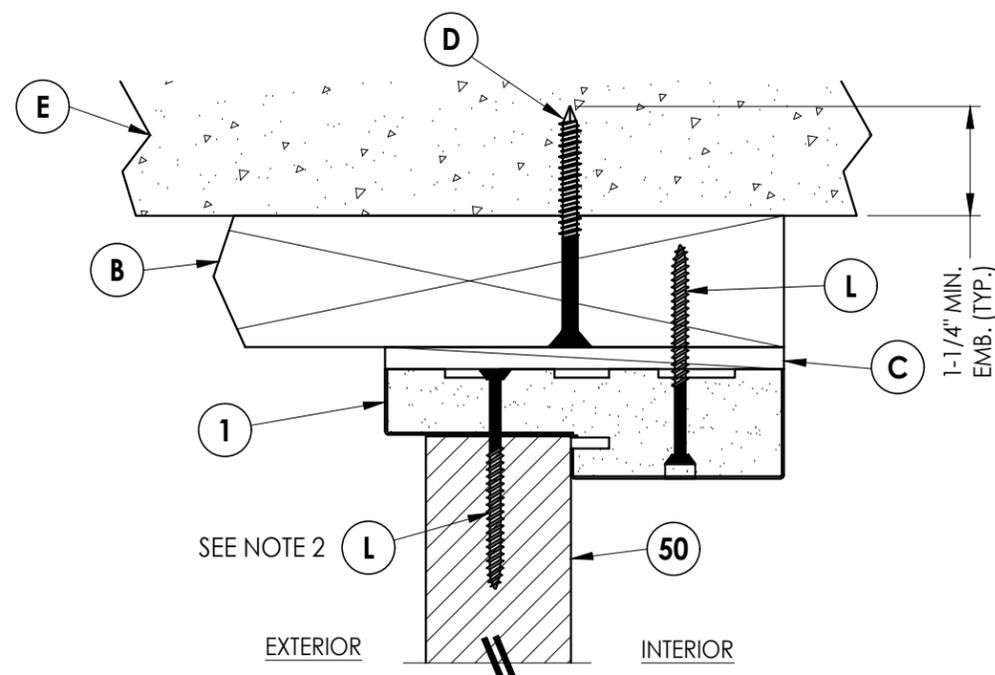
2 HORIZONTAL CROSS SECTION
6 Outswing shown (Inswing similar)



4 VERTICAL CROSS SECTION
6 Outswing shown (Inswing similar)



3 HORIZONTAL CROSS SECTION
6 Outswing shown (Inswing similar)



5 VERTICAL CROSS SECTION
6 Outswing shown (Inswing similar)

NOTES:

1. Spacing for item L: 6" from each end and 5 more equally spaced along sidelite jamb (7 total).
2. Spacing for item L @ head & sill: 6" from each end, 1 @ centerline, 2 additional at 3" & 4.5" from end adjacent to door.

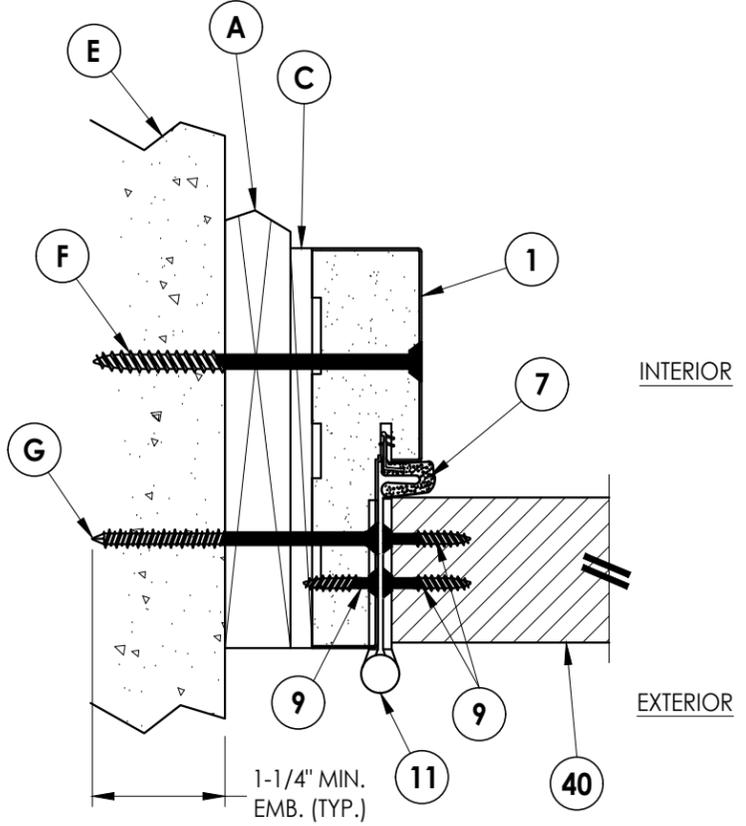
Documents Prepared By:
Lyndon F. Schmidt
P.E. No. 43409

RW BUILDING CONSULTANTS, INC.
P.O. Box 230, Valrico, FL 33595
Phone No.: 813.659.9197
FBPE Registry No. 9813

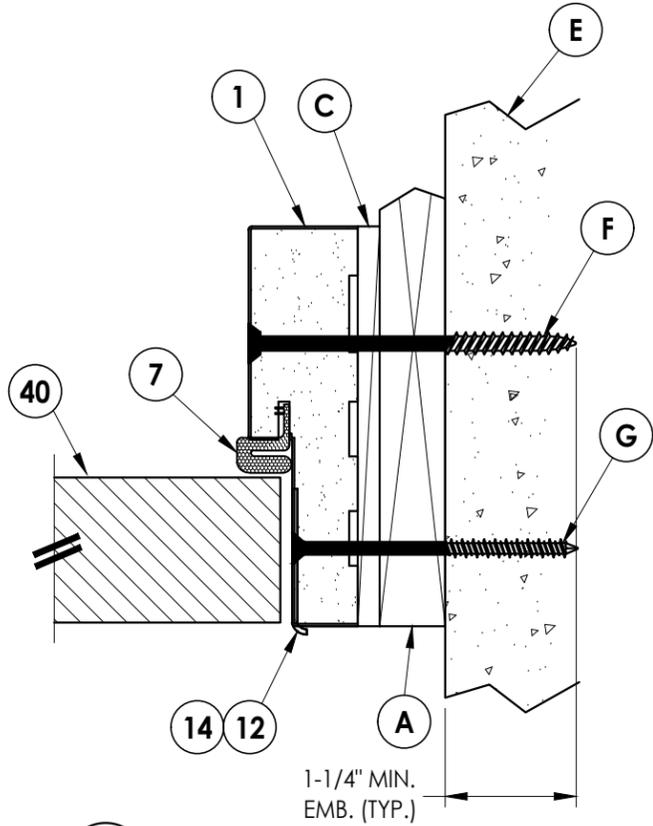
PRODUCT: WINCORE
FIBERGLASS ENTRY DOOR
"Impact"
PART OR ASSEMBLY:
HORIZONTAL & VERTICAL
CROSS SECTIONS (2X BUCK)

REVISIONS	
NO.	DATE
2	7/06/23 UPDATE TO 8TH ED. (2023) FBC LFS
1	10/14/20 UPDATE TO 7TH ED. (2020) FBC LFS
	BY

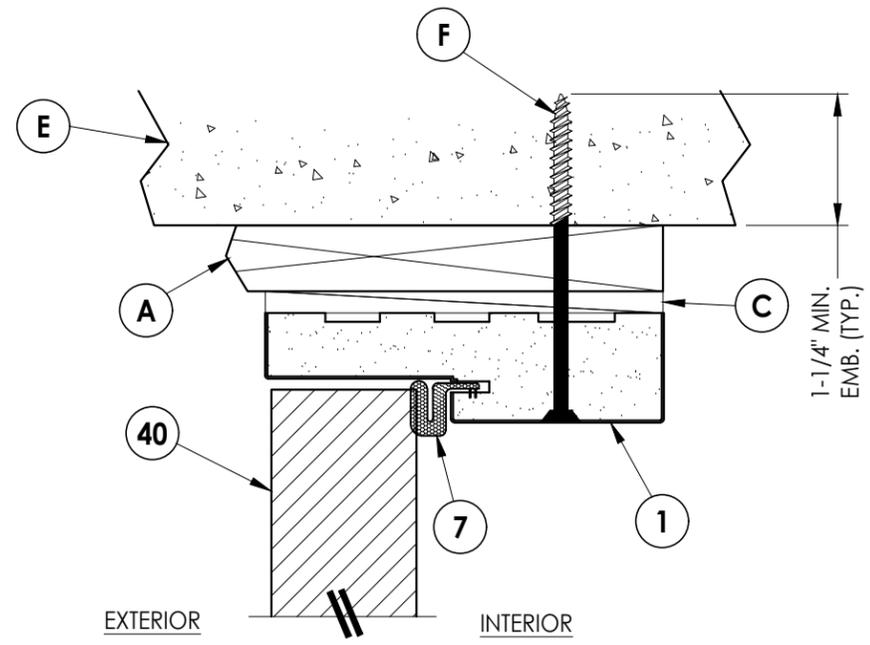
DATE: 8/20/19
SCALE: N.T.S.
DWG. BY: RW
CHK. BY: LFS
DRAWING NO.: FL-30037.5
SHEET 6 OF 13



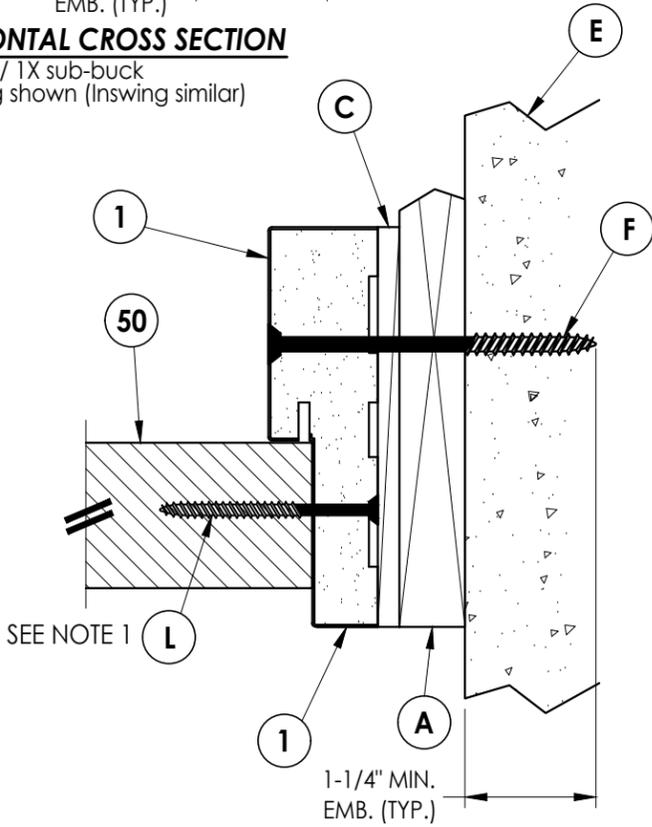
1 **HORIZONTAL CROSS SECTION**
7 Shown w/ 1X sub-buck
 Outswing shown (Inswing similar)



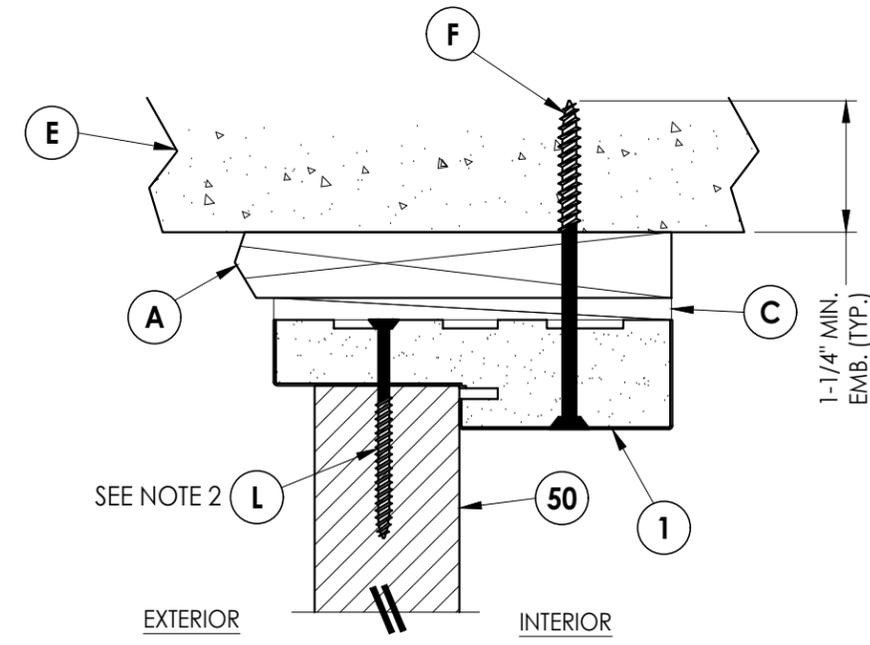
2 **HORIZONTAL CROSS SECTION**
7 Shown w/ 1X sub-buck
 Outswing shown (Inswing similar)



4 **VERTICAL CROSS SECTION**
7 Shown w/ 1X sub-buck
 Outswing shown (Inswing similar)



3 **HORIZONTAL CROSS SECTION**
7 Shown w/ 1X sub-buck
 Outswing shown (Inswing similar)



5 **VERTICAL CROSS SECTION**
7 Shown w/ 1X sub-buck
 Outswing shown (Inswing similar)

- NOTES:
- Spacing for item L: 6" from each end and 5 more equally spaced along sidelite jamb (7 total).
 - Spacing for item L @ head & sill: 6" from each end, 1 @ centerline, 2 additional at 3" & 4.5" from end adjacent to door.

Documents Prepared By:
 Lyndon F. Schmidt
 P.E. No. 43409

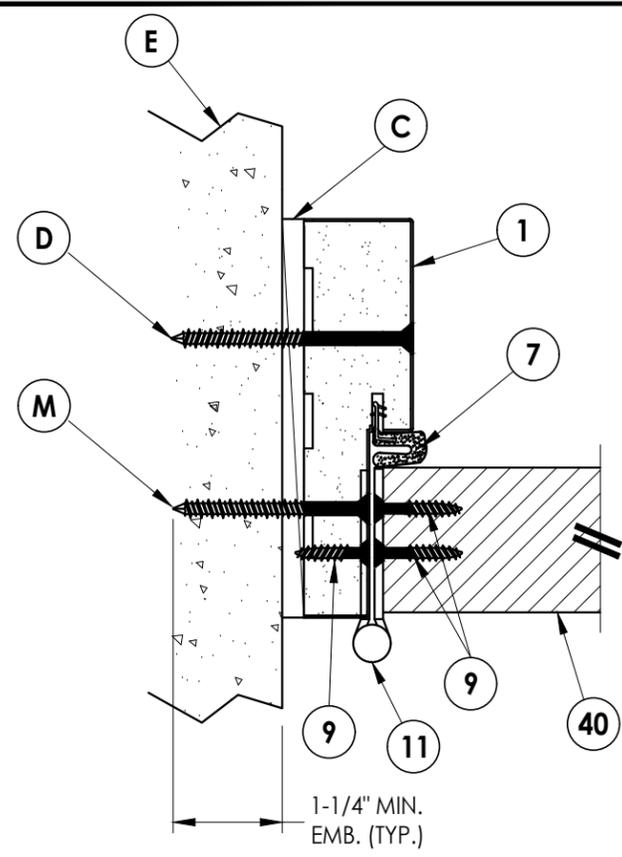
RW BUILDING CONSULTANTS, INC.
 P.O. Box 230, Valrico, FL 33595
 Phone No.: 813.659.9197
 FBPE Registry No. 9813

PRODUCT: WINCORE
 FIBERGLASS ENTRY DOOR
 "Impact"

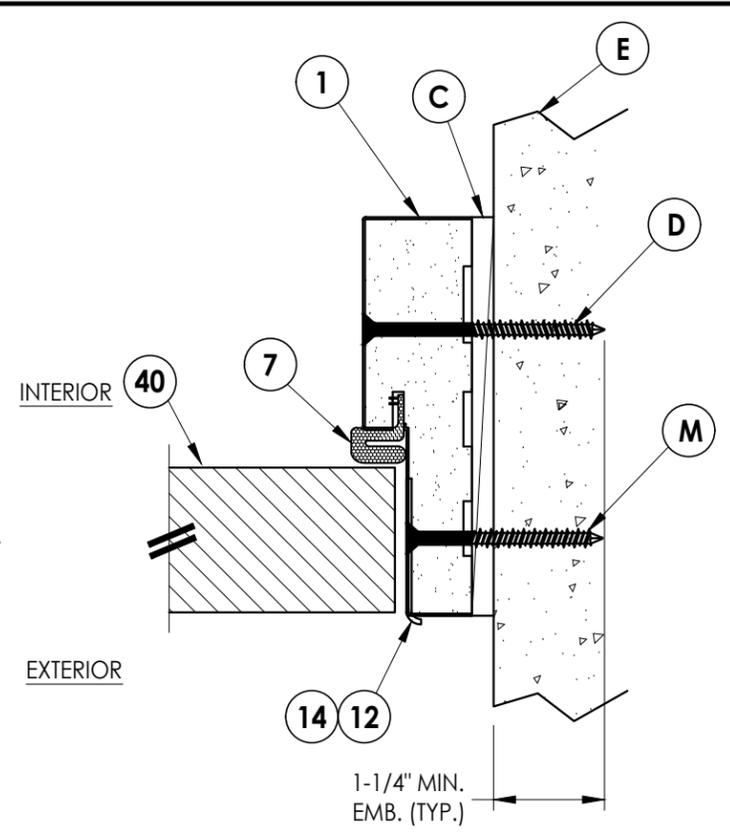
PART OR ASSEMBLY:
 HORIZONTAL & VERTICAL
 CROSS SECTIONS (1X BUCK)

REVISIONS			
NO.	DATE	BY	
2	7/06/23	FBC	UPDATE TO 8TH ED. (2023)
1	10/14/20	FBC	UPDATE TO 7TH ED. (2020)

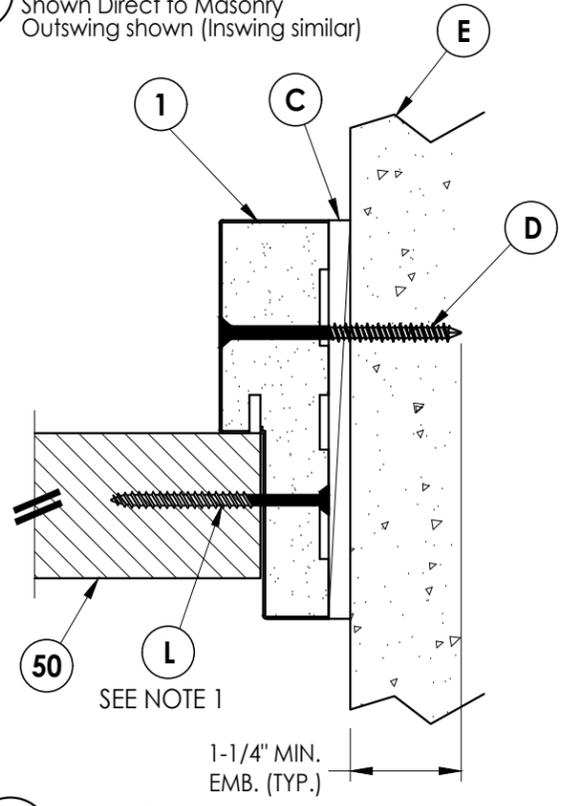
DATE: 8/20/19
 SCALE: N.T.S.
 DWG. BY: RW
 CHK. BY: LFS
 DRAWING NO.:
 FL-30037.5
 SHEET 7 OF 13



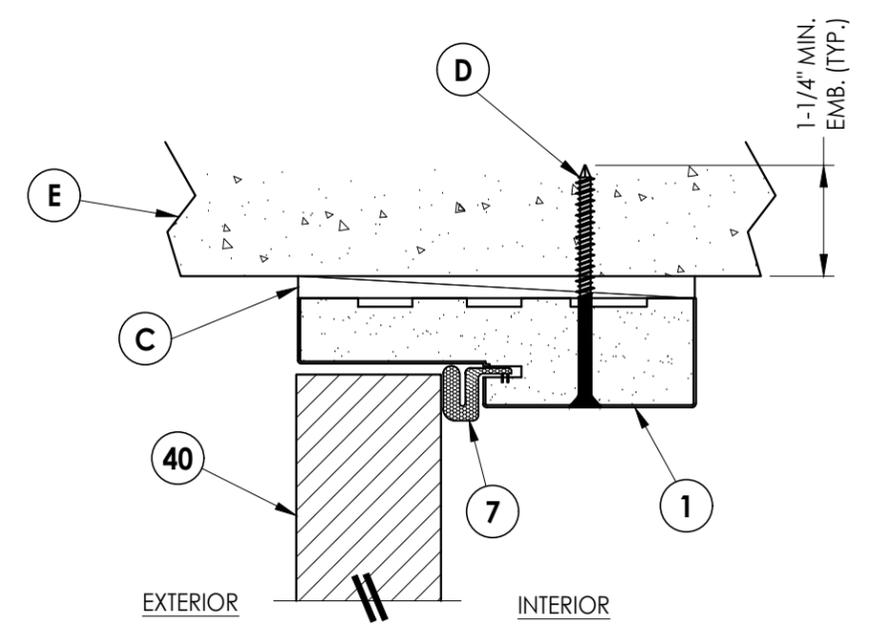
1 **HORIZONTAL CROSS SECTION**
8 Shown Direct to Masonry
 Outswing shown (Inswing similar)



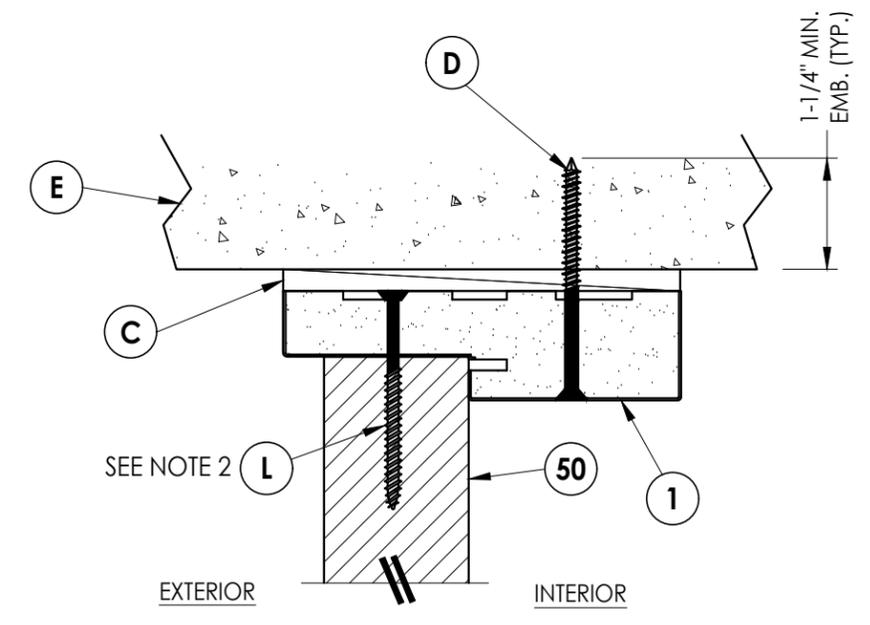
2 **HORIZONTAL CROSS SECTION**
8 Shown Direct to Masonry
 Outswing shown (Inswing similar)



3 **HORIZONTAL CROSS SECTION**
8 Shown Direct to Masonry
 Outswing shown (Inswing similar)



4 **VERTICAL CROSS SECTION**
8 Shown Direct to Masonry
 Outswing shown (Inswing similar)



5 **VERTICAL CROSS SECTION**
8 Shown Direct to Masonry
 Outswing shown (Inswing similar)

- NOTES:**
- Spacing for item L: 6" from each end and 5 more equally spaced along sidelite jamb (7 total).
 - Spacing for item L @ head & sill: 6" from each end, 1 @ centerline, 2 additional at 3" & 4.5" from end adjacent to door.

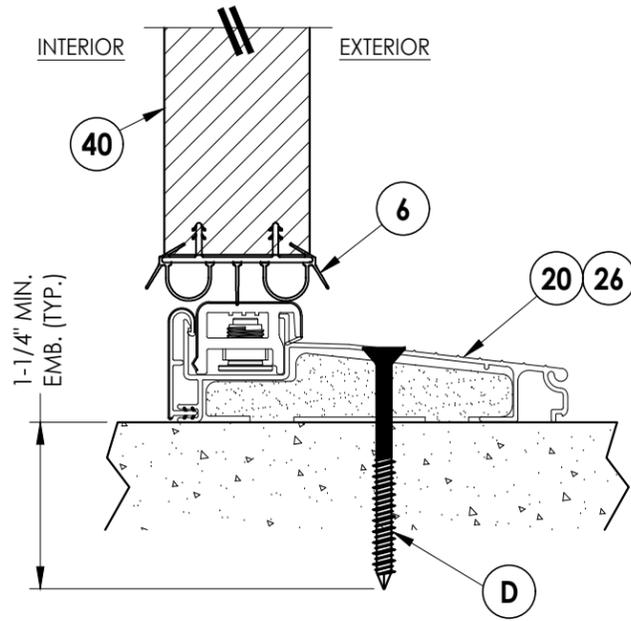
Documents Prepared By:
 Lyndon F. Schmidt
 P.E. No. 43409

RW BUILDING CONSULTANTS, INC.
 P.O. Box 230, Valrico, FL 33595
 Phone No.: 813.659.9197
 FBPE Registry No. 9813

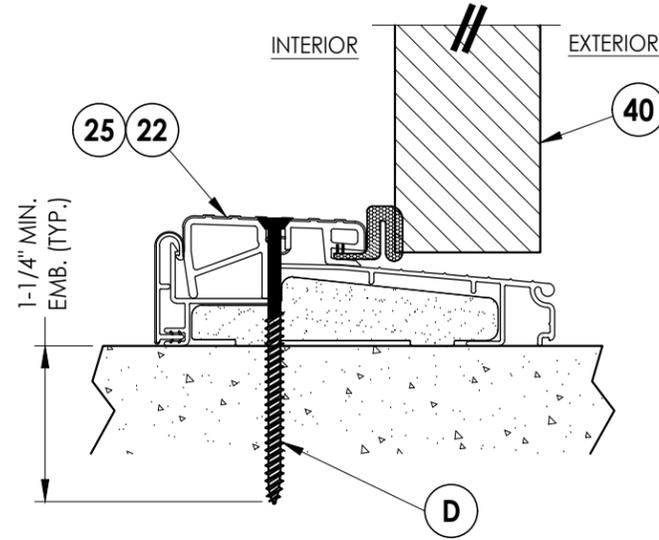
PRODUCT: WINCORE
 FIBERGLASS ENTRY DOOR
 "Impact"
PART OR ASSEMBLY:
 HORIZONTAL & VERTICAL CROSS
 SECTIONS (DIRECT TO MASONRY)

NO.	DATE	BY
2	7/06/23	LFS
1	10/14/20	LFS

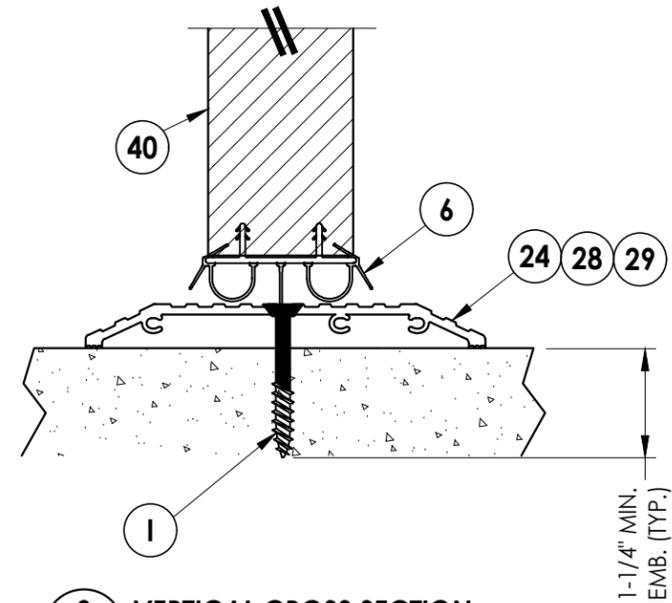
DATE: 8/20/19
 SCALE: N.T.S.
 DWG. BY: RW
 CHK. BY: LFS
 DRAWING NO.: FL-30037.5
 SHEET 8 OF 13



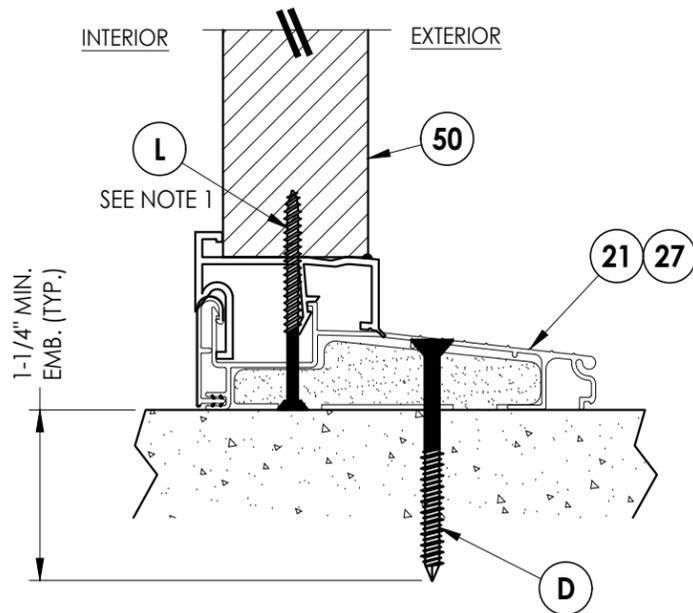
1 VERTICAL CROSS SECTION
9 Inswing sill



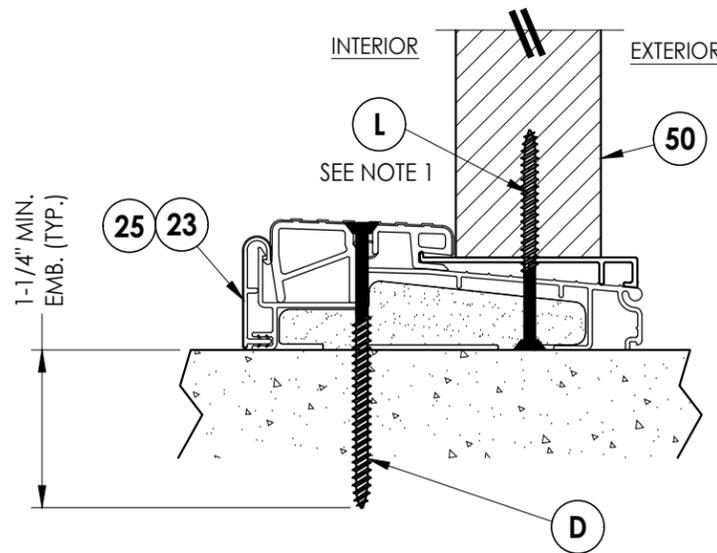
2 VERTICAL CROSS SECTION
9 Outswing sill



3 VERTICAL CROSS SECTION
9 ADA Sill



4 VERTICAL CROSS SECTION
9 Inswing sill



5 VERTICAL CROSS SECTION
9 Inswing sill

NOTE:
1. Spacing for item L @ head & sill: 6" from each end,
1 @ centerline, 2 additional at 3" & 4.5" from end
adjacent to door.

Documents Prepared By:
Lyndon F. Schmidt
P.E. No. 4-3409

RW BUILDING CONSULTANTS, INC.
P.O. Box 230, Valrico, FL 33595
Phone No.: 813.659.9197
FBPE Registry No. 9813

PRODUCT: WINCORE
FIBERGLASS ENTRY DOOR
"Impact"
PART OR ASSEMBLY:
VERTICAL CROSS
SECTIONS (THRESHOLDS)

NO.	DATE	REVISIONS
2	7/06/23	UPDATE TO 8TH ED. (2023) FBC LFS
1	10/14/20	UPDATE TO 7TH ED. (2020) FBC LFS
		BY

DATE: 8/20/19

SCALE: N.T.S.

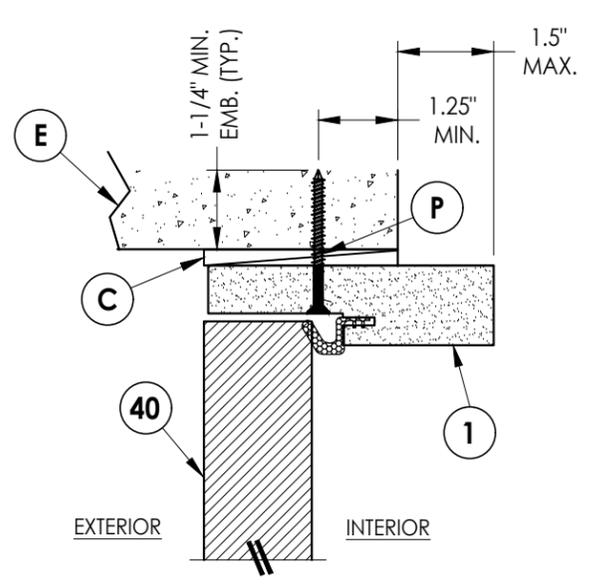
DWG. BY: RW

CHK. BY: LFS

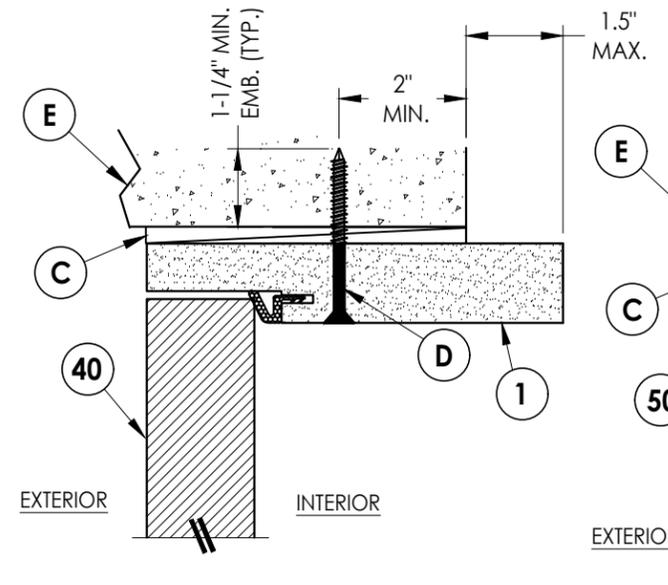
DRAWING NO.:

FL-30037.5

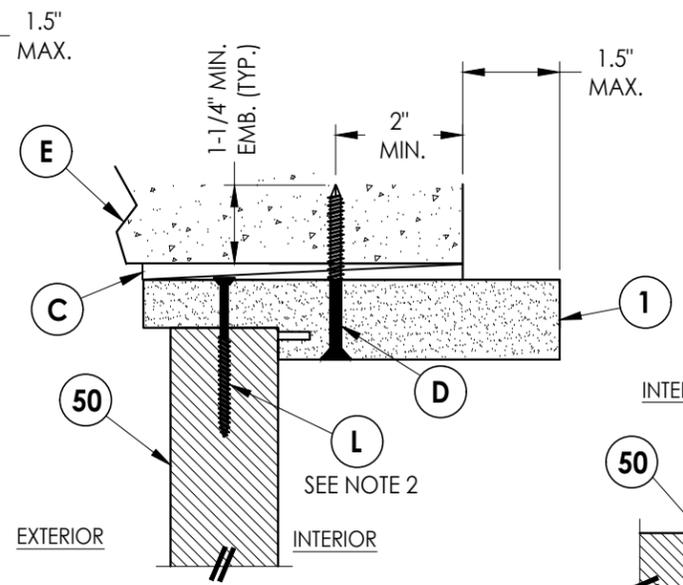
SHEET 9 OF 13



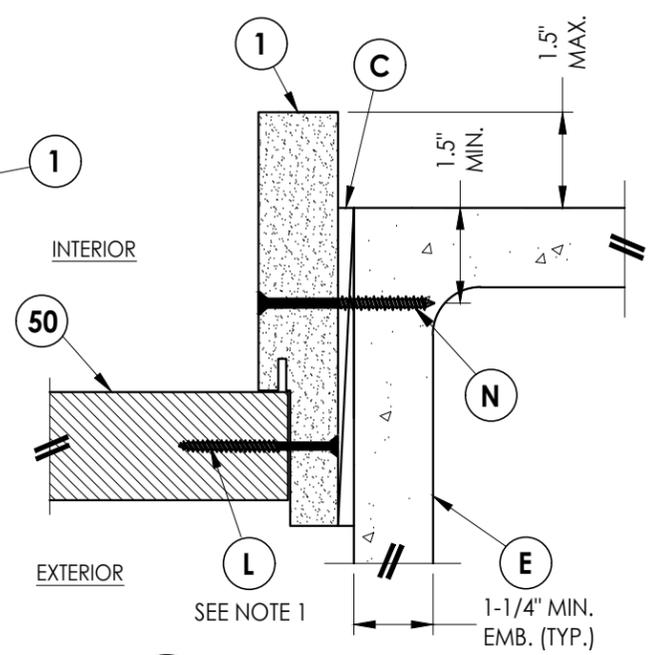
6 **VERTICAL CROSS SECTION**
10 Shown Direct to Masonry
 Outswing only w/ 4-9/16" jamb
 Single door only (N/A w/ Sidelites)



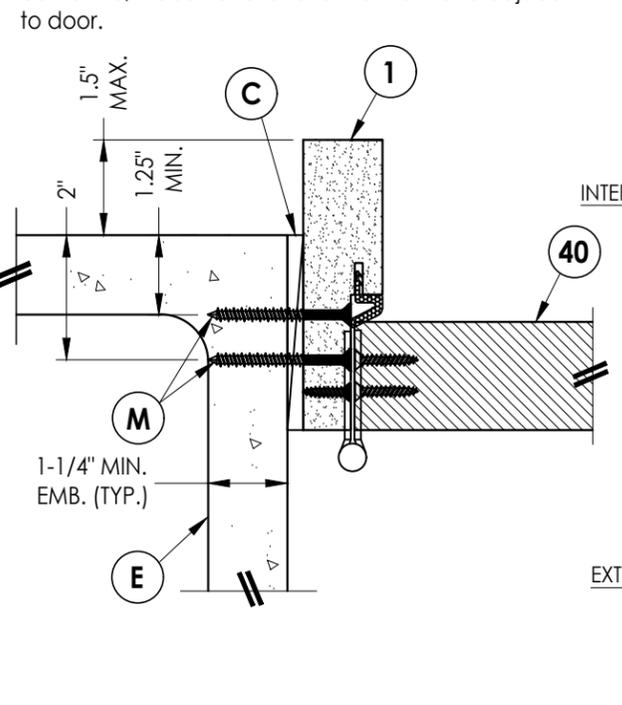
7 **VERTICAL CROSS SECTION**
10 Shown Direct to Masonry
 Outswing only w/ 6-9/16" jamb



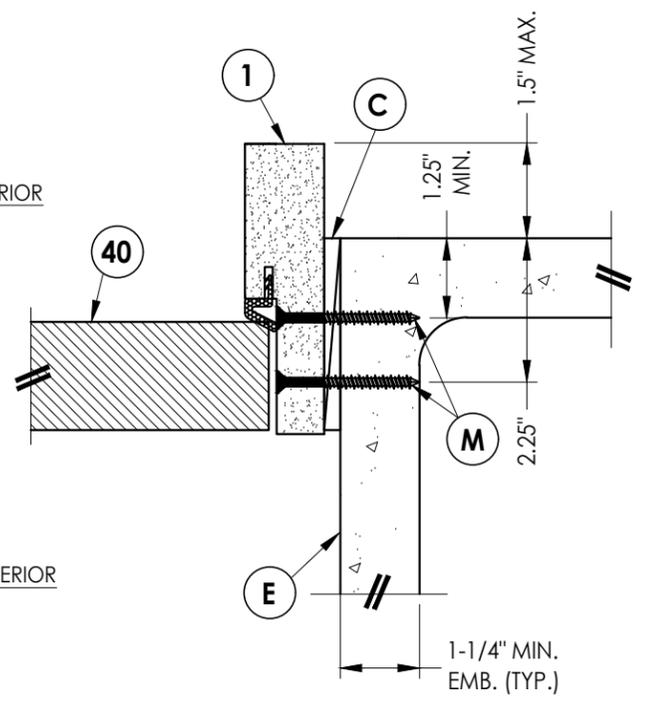
8 **VERTICAL CROSS SECTION**
10 Shown Direct to Masonry
 Outswing only w/ 6-9/16" jamb



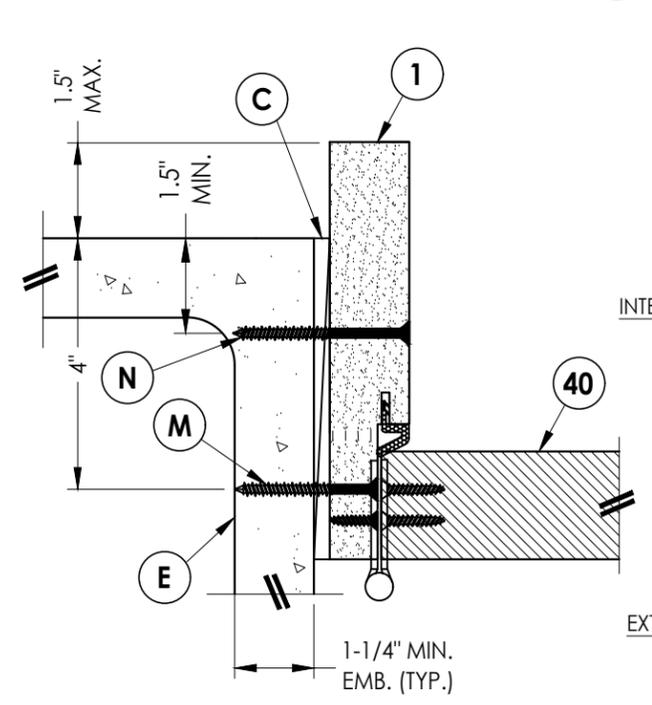
5 **HORIZONTAL CROSS SECTION**
10 Shown Direct to Masonry
 Outswing only w/ 6-9/16" jamb



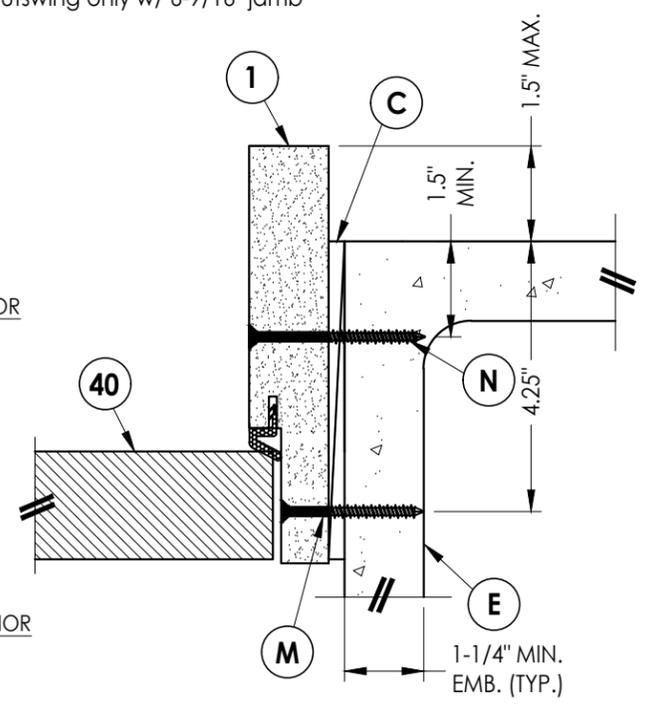
1 **HORIZONTAL CROSS SECTION**
10 Shown Direct to Masonry
 Outswing only w/ 4-9/16" jamb
 Single door only (N/A w/ Sidelites)



2 **HORIZONTAL CROSS SECTION**
10 Shown Direct to Masonry
 Outswing only w/ 4-9/16" jamb
 Single door only (N/A w/ Sidelites)



3 **HORIZONTAL CROSS SECTION**
10 Shown Direct to Masonry
 Outswing only w/ 6-9/16" jamb



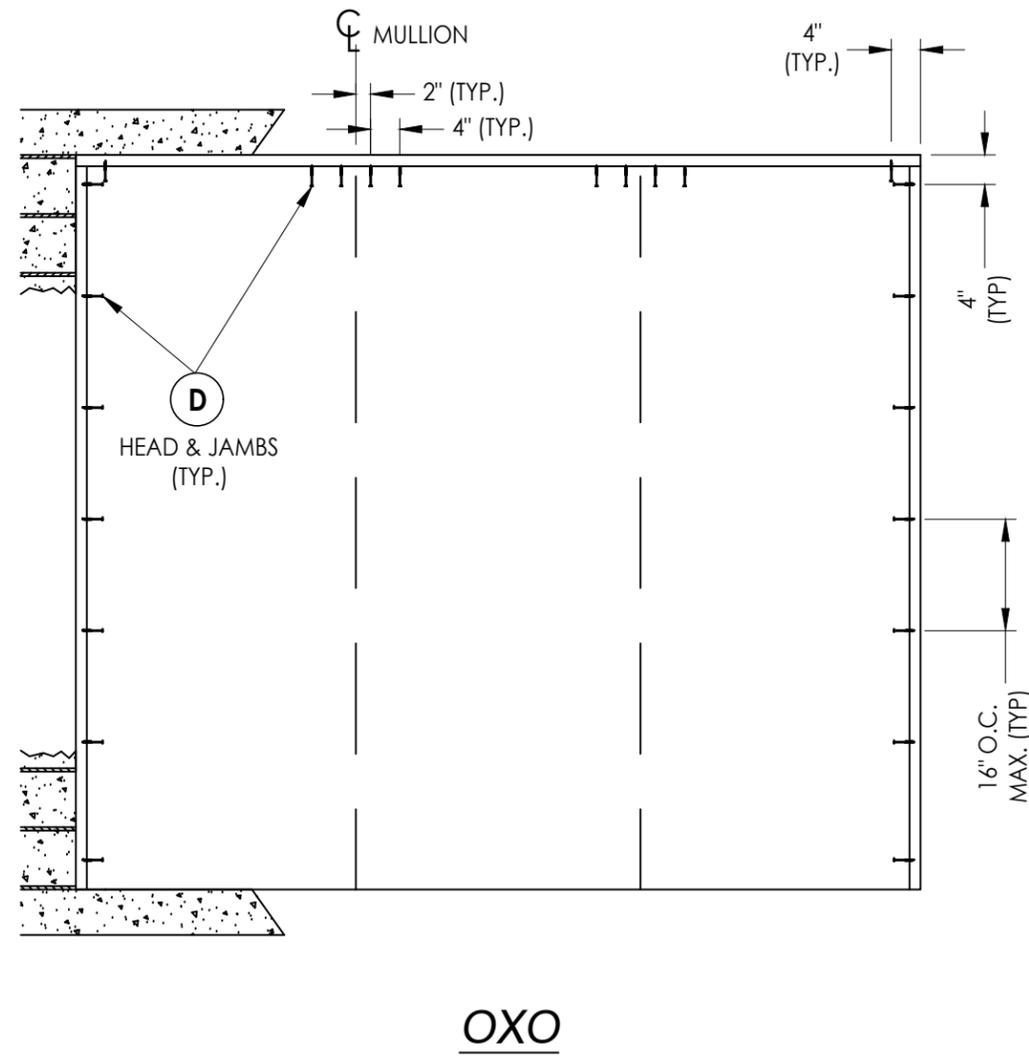
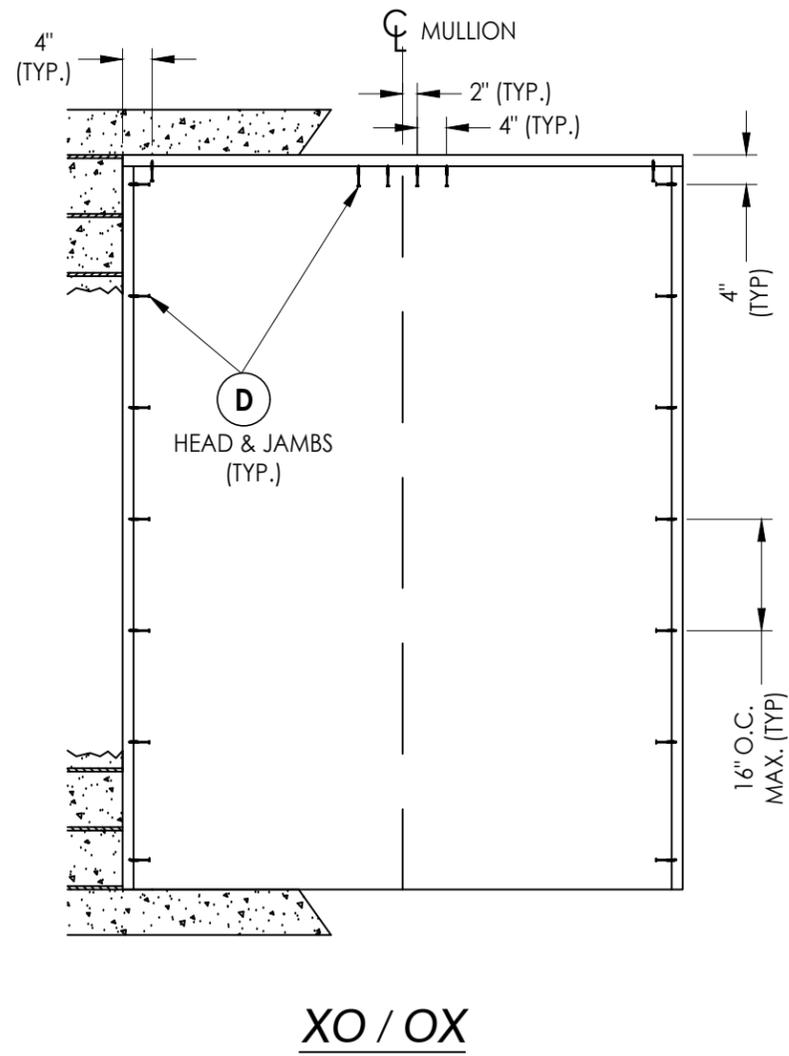
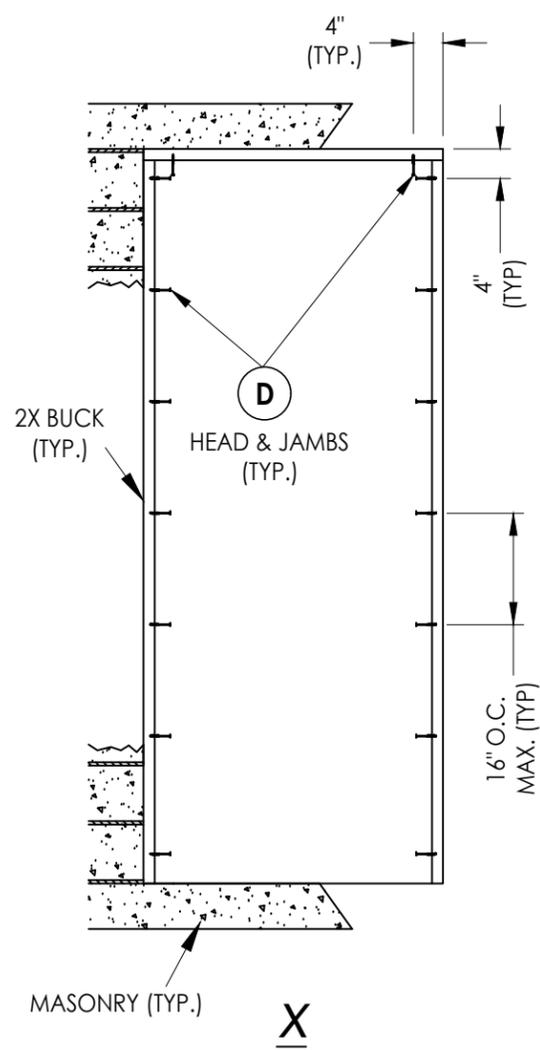
4 **HORIZONTAL CROSS SECTION**
10 Shown Direct to Masonry
 Outswing only w/ 6-9/16" jamb

NOTES:
 1. Spacing for item L: 6" from each end and 5 more equally spaced along sidelite jamb (7 total).
 2. Spacing for item L @ head & sill: 6" from each end, 1 @ centerline, 2 additional at 3" & 4.5" from end adjacent to door.

Documents Prepared By: Lyndon F. Schmidt P.E. No. 43409		BUILDING CONSULTANTS, INC. P.O. Box 230, Valrico, FL 33595 Phone No.: 813.659.9197 FBPE Registry No. 9813	
PRODUCT: WINCORE FIBERGLASS ENTRY DOOR "Impact"		PART OR ASSEMBLY: HORIZONTAL & VERTICAL SECTIONS (DIRECT TO MASONRY)	
NO.	DATE	REVISIONS	BY
2	7/06/23	UPDATE TO 8TH ED. (2023)	FBC
1	10/14/20	UPDATE TO 7TH ED. (2020)	FBC
DATE: 8/20/19		SCALE: N.T.S.	
DWG. BY: RW		CHK. BY: LFS	
DRAWING NO.: FL-30037.5		SHEET 10 OF 13	

Z:\2023 FBC Drawings\Wincore Window Company\FL-30037 R4\FL-30037.5.dwg

© 2012 R.W. BUILDING CONSULTANTS INC.



2X BUCK ANCHORING

Documents Prepared By:
Lyndon F. Schmidt
P.E. No. 43409

RW BUILDING CONSULTANTS, INC.
P.O. Box 230, Vairico, FL 33595
Phone No.: 813.659.9197
FBPE Registry No. 9813

PRODUCT: WINCORE
FIBERGLASS ENTRY DOOR
"Impact"

PART OR ASSEMBLY:
BUCK ANCHORING

REVISIONS	
NO.	DATE
2	7/06/23
1	10/14/20

DATE: 8/20/19

SCALE: N.T.S.

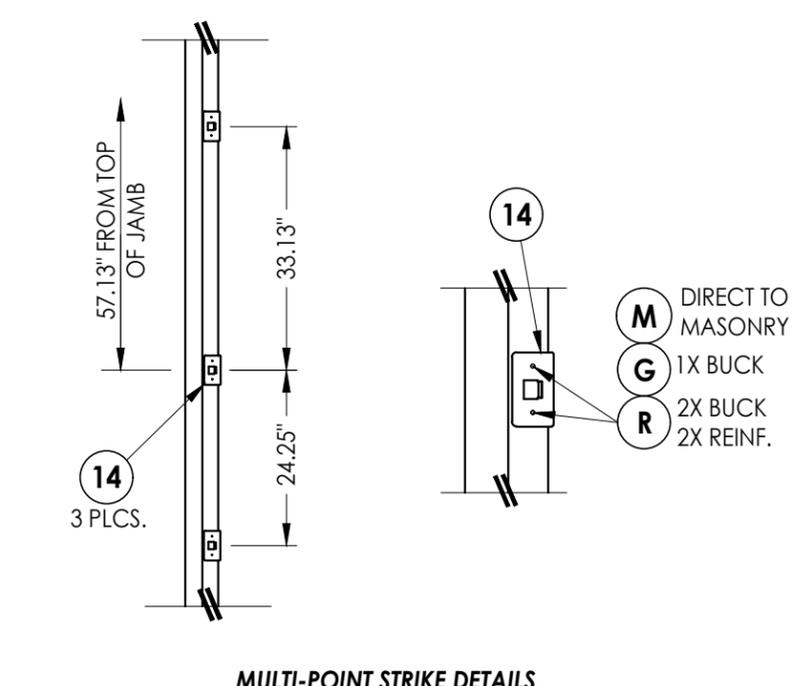
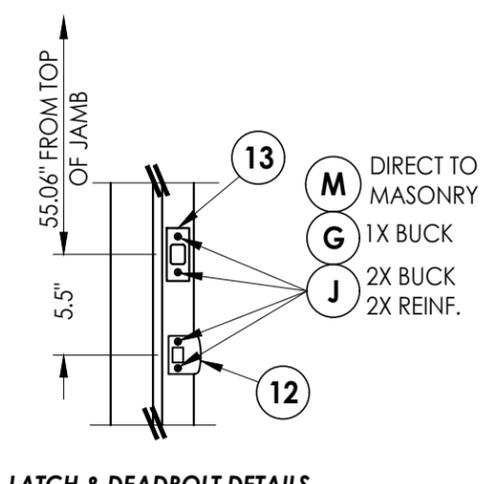
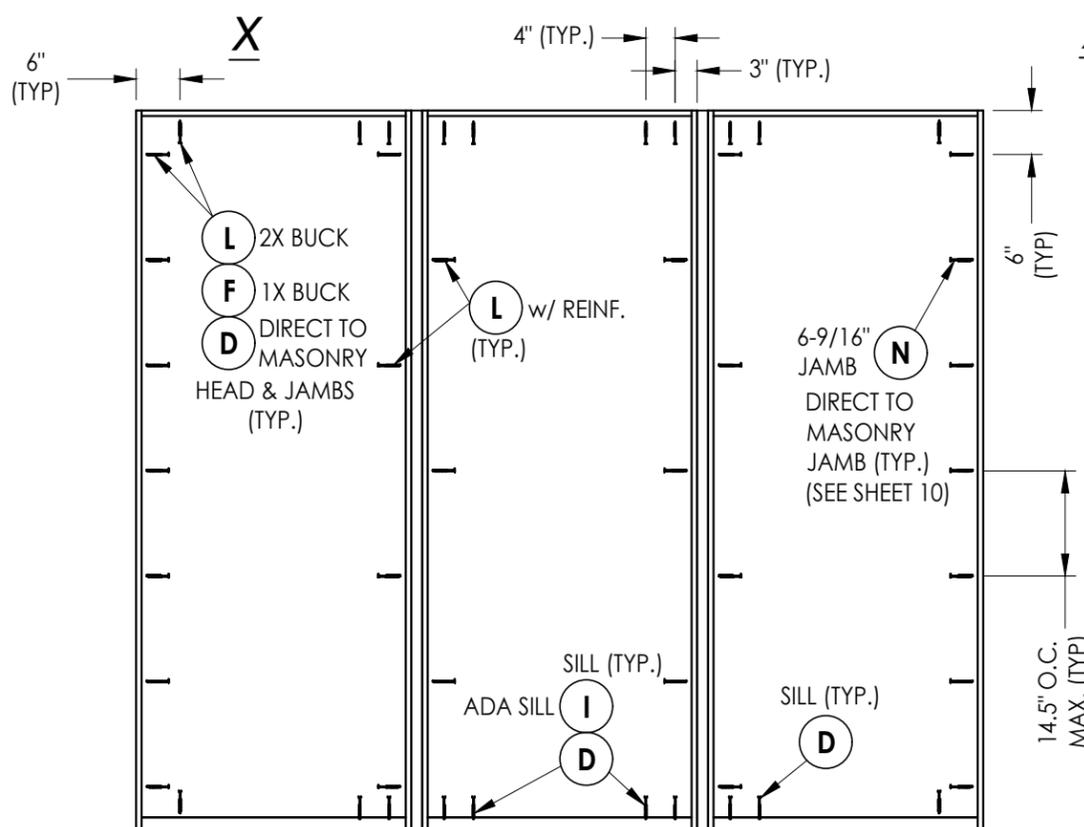
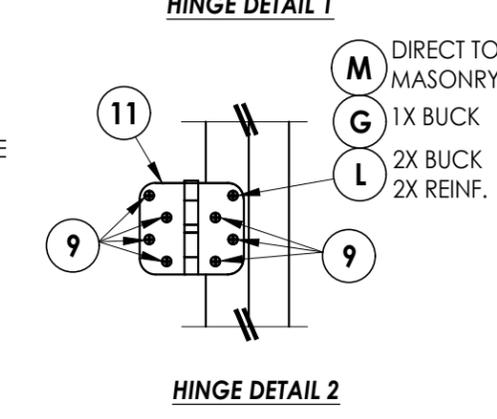
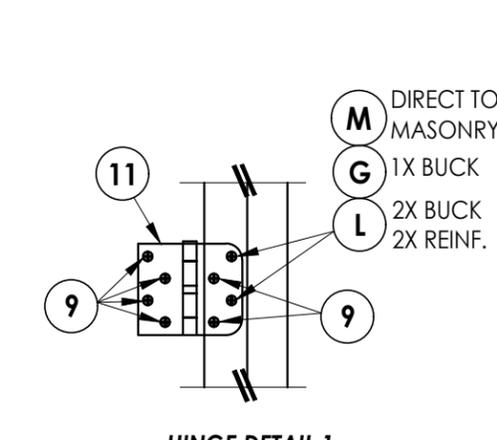
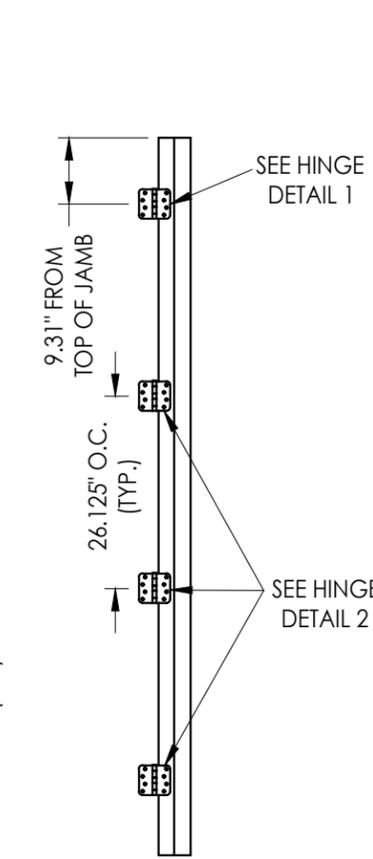
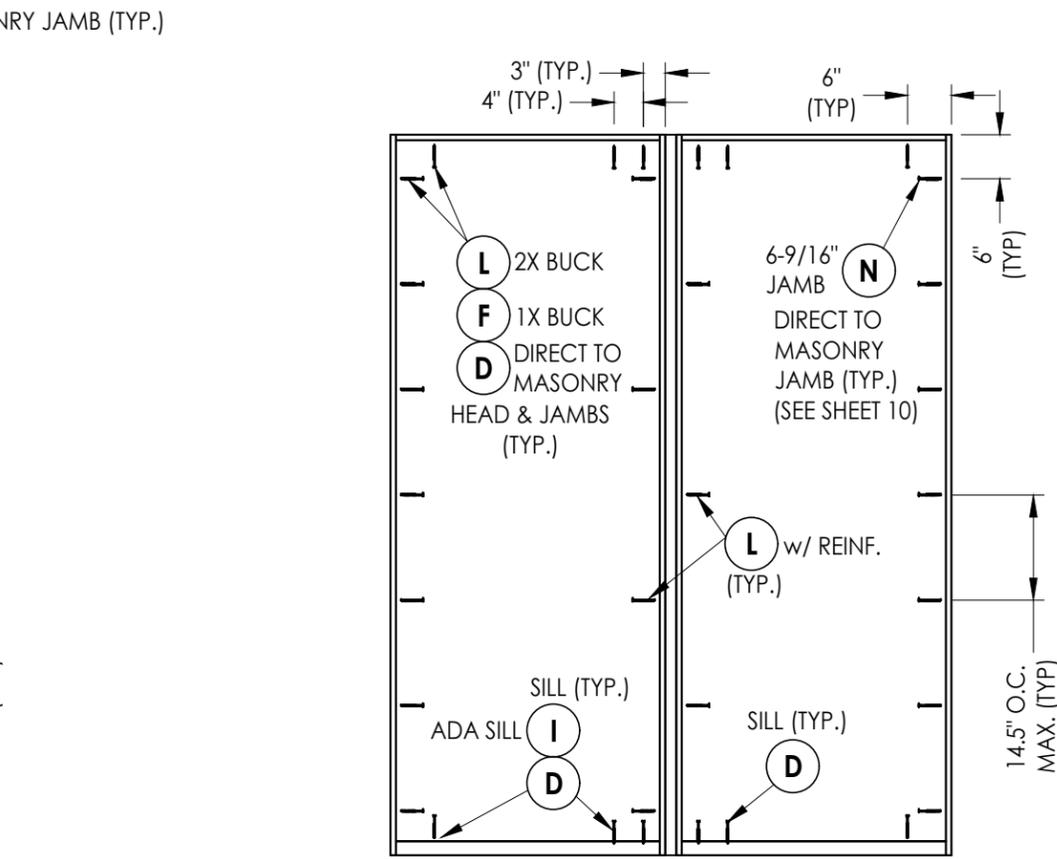
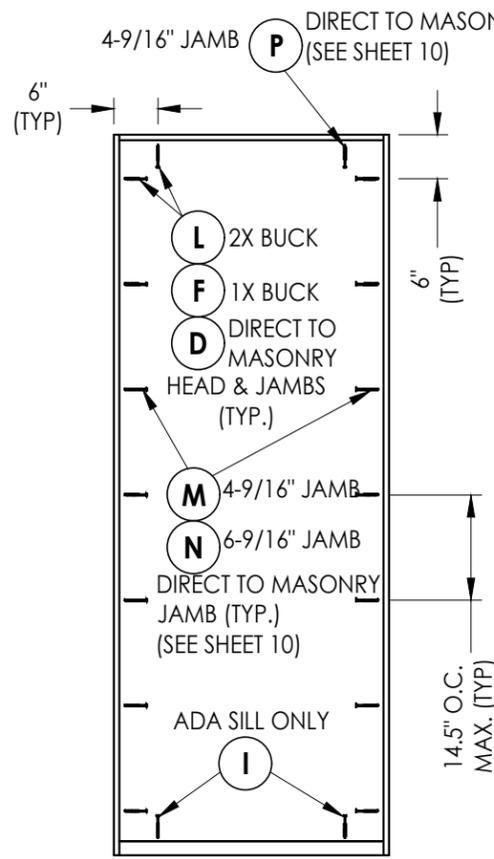
DWG. BY: RW

CHK. BY: LFS

DRAWING NO.:

FL-30037.5

SHEET 11 OF 13



**OXO
FRAME ANCHORING**

HARDWARE DETAILS

Documents Prepared By: Lyndon F. Schmidt P.E. No. 43409		BUILDING CONSULTANTS, INC. P.O. Box 230, Vairico, FL 33595 Phone No.: 813.659.9197 FBPE Registry No. 9813	
PRODUCT:	WINCORE FIBERGLASS ENTRY DOOR "Impact"	PART OR ASSEMBLY:	FRAME ANCHORING & HARDWARE DETAILS
DATE:	8/20/19	NO.	DATE
SCALE:	N.T.S.	1	10/14/20
DWG. BY:	RW	2	7/06/23
CHK. BY:	LFS		
DRAWING NO.:	FL-30037.5		
SHEET	12	OF	13

BILL OF MATERIALS

ITEM #	DESCRIPTION	MATERIAL
A	1X BUCK (G >= 0.42)	WOOD
B	2X BUCK (G >= 0.42)	WOOD
C	1/4" MAX. SHIM SPACE	-
D	1/4" X 2-3/4" PFH DeWALT OR ITW CONCRETE SCREW	STEEL
E	MASONRY - 3,000 PSI MIN. CONCRETE CONFORMING TO ACI 301 OR HOLLOW BLOCK CONFORMING TO ASTM C90	CONCRETE
F	1/4" X 3-3/4" PFH DeWALT OR ITW CONCRETE SCREW	STEEL
G	3/16" X 3-1/4" PFH ITW CONCRETE SCREW	STEEL
I	1/4" X 1-3/4" PFH DeWALT OR ITW CONCRETE SCREW	STEEL
J	#10 X 2" PFH WOOD SCREW	STEEL
L	#10 X 2-1/2" PFH WOOD SCREW (1.15" MIN. EMB.)	STEEL
M	3/16" X 2-1/4" ITW CONCRETE SCREW	STEEL
N	3/16" X 2-3/4" ITW CONCRETE SCREW	STEEL
P	1/4" X 2-1/4" PFH DeWALT CONCRETE SCREW	STEEL
R	#8 X 2-1/2" PFH WOOD SCREW	STEEL
1	POLY FIBER JAMB	COMP.
5	2X REINFORCEMENT (G >= 0.55)	WOOD
6	DOOR SWEEP	PVC
7	WEATHERSTRIP (ENDURA FORCE 5)	FOAM
9	#9 X 3/4" PFH WOOD SCREW	STEEL
11	4" X 4" HINGE (SQUARE OR RADIUS)	STEEL
12	LATCH STRIKE PLATE	STEEL
13	DEADBOLT STRIKE PLATE	STEEL
14	TRILENNIUM MULTI-POINT STRIKE PLATE	STEEL
20	INSWING THRESHOLD	ALUM/COMP
21	INSWING THRESHOLD w/ SIDELITE ADAPTER	ALUM/COMP
22	OUTSWING THRESHOLD	ALUM/COMP
23	OUTSWING THRESHOLD w/ SIDELITE ADAPTER	ALUM/COMP
24	ADA THRESHOLD	ALUM
25	OUTSWING THRESHOLD	ALUM/COMP
26	INSWING THRESHOLD	ALUM/COMP
40	DOOR PANEL	-
50	SIDELITE PANEL	-

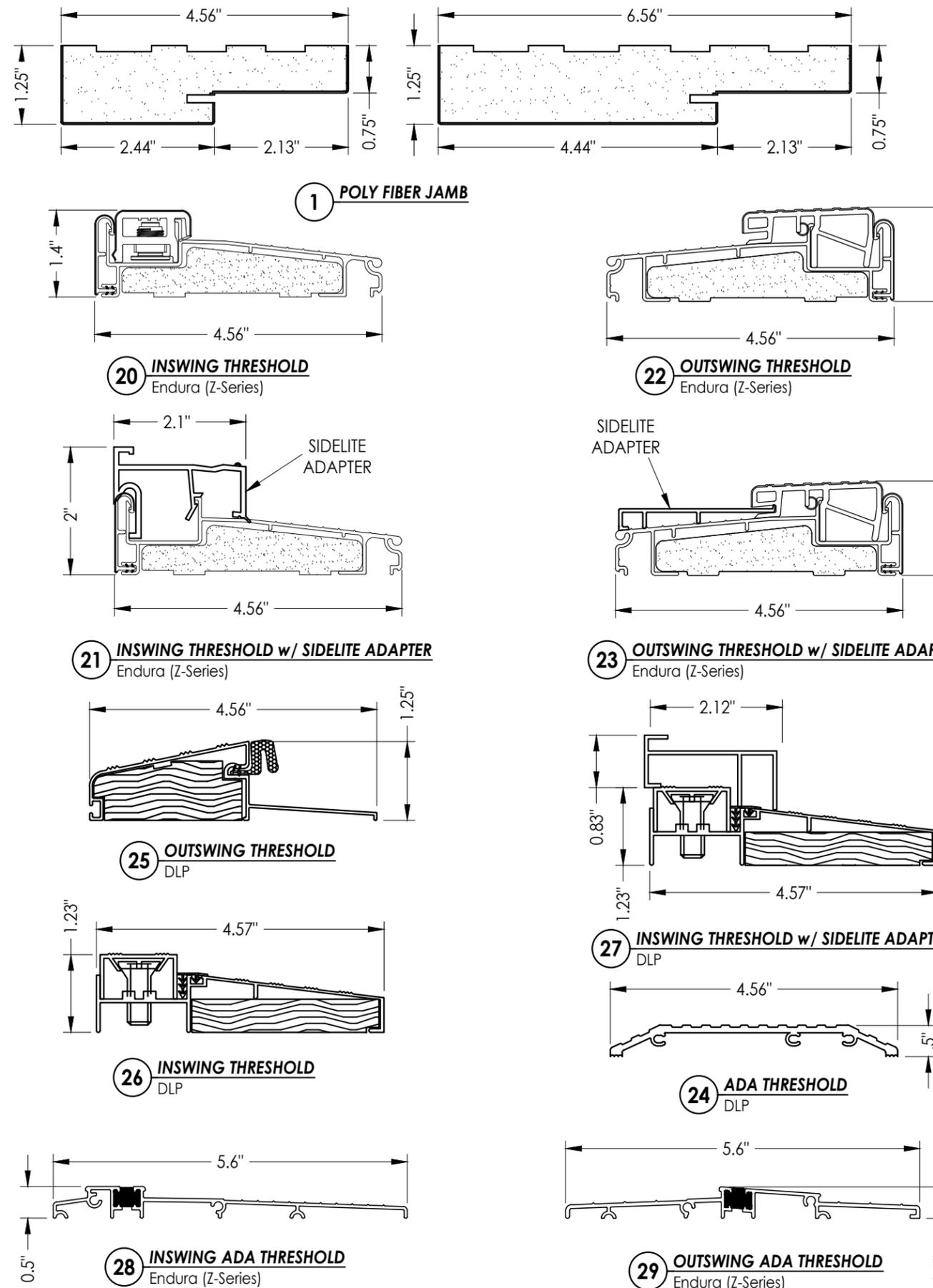
CONCRETE ANCHOR NOTES:

- Concrete anchor locations at the corners may be adjusted to maintain the min. edge distance to mortar joints.
- Concrete anchor locations noted as "MAX. ON CENTER" must be adjusted to maintain the min. edge distance to mortar joints, additional concrete anchors may be required to ensure the "MAX. ON CENTER" dimension are not exceeded.
- Concrete anchor table:

ANCHOR TYPE	ANCHOR SIZE	MIN. EMBEDMENT	MIN. CLEARANCE TO MASONRY EDGE	MIN. CLEARANCE TO ADJACENT ANCHOR
ITW BUILDDEX TAPCON®	3/16"	1-1/4"	3"	1-1/2"
	1/4"	1-1/4"	2"	4"
DeWALT ULTRACON®	1/4"	1-1/4"	1"	4"

WOOD SCREW INSTALLATION NOTES:

- Maintain a minimum 5/8" edge distance, 1" end distance, & 1" o.c. spacing of wood screws to prevent the splitting of wood.



Documents Prepared By:
Lyndon F. Schmidt
P.E. No. 43409

RW BUILDING CONSULTANTS, INC.
P.O. Box 230, Vairico, FL 33595
Phone No.: 813.659.9197
FBPE Registry No. 9813

PRODUCT: WINCORE
FIBERGLASS ENTRY DOOR
"Impact"

PART OR ASSEMBLY:
BILL OF MATERIALS
& COMPONENTS

NO.	DATE	BY	REVISIONS
2	7/06/23	FBC	UPDATE TO 8TH ED. (2023)
1	10/14/20	FBC	UPDATE TO 7TH ED. (2020)

DATE: 8/20/19
SCALE: N.T.S.
DWG. BY: RW
CHK. BY: LFS
DRAWING NO.: FL-30037.5
SHEET 13 of 13